



2026 Catalog



FULL LINE MASTER DISTRIBUTOR OF AMEROCK
THIS PAGE FOR COLOR REFERENCE ONLY

SILVER TONES



26, CH
POLISHED CHROME



PN
POLISHED NICKEL



G10, SN
SATIN NICKEL (MATTE)



SC
SILVER CHAMPAGNE



G9
STERLING NICKEL



S
SILVER



G10
SATIN NICKEL



14
NICKEL



SS
STAINLESS STEEL



AA
ANODIZED ALUMINUM



26D, SCH
BRUSHED CHROME



BBN
BLACK BRUSHED NICKEL



BCR
BLACK CHROME



AS
ANTIQUE SILVER



AP
AGED PEWTER



AN
ANTIQUE NICKEL



WN
WEATHERED NICKEL



WNC
WEATHERED NICKEL COPPER

GOLD TONES



CZ
CHAMPAGNE BRONZE



BBZ
BRUSHED BRONZE OR GOLDEN CHAMPAGNE



3, PB
POLISHED BRASS



GB
GILDED BRONZE



AE
ANTIQUE ENGLISH



EB
ELEGANT BRASS



O77, BB
BURNISHED BRASS



AB, ABS
ANTIQUE BRASS



DBS
DISTRESSED BRASS



R1
REGENCY BRASS



R2
WEATHERED BRASS



R3
RUSTIC BRASS

THIS PAGE FOR COLOR REFERENCE ONLY

BOLD TONES



AC
ANTIQUE COPPER

BC
BRUSHED COPPER

WC
WEATHERED
COPPER

RBZ
RUSTIC BRONZE

CBZ
CARMEL BRONZE

ART
ANTIQUE RUST



VS
VIRIDIAN SLATE



RB
ROMAN BRONZE



VB
VENETIAN
BRONZE



ORB
OIL-RUBBED
BRONZE



DOB
DARK OILED
BRONZE

BLACK TONES



WI, WID
WROUGHT IRON
OR WROUGHT
IRON DARK

PWT
PEWTER

GM
GUNMETAL

GPH
GRAPHITE

BN, BNB
BLACK NICKEL

BBR
BLACK BRONZE



FB
FLAT BLACK



CB
COLONIAL BLACK



MB
MATTE BLACK

MISCELLANEOUS TONES



30, W, 54, GW
WHITE

MW
MARBLE WHITE

MBK
MARBLE BLACK

EVERYDAY HERITAGE



1910-G10
1 1/4" DIA
1 1/8" PROJ



G10



53018-G10
1 3/8" L
1 1/2" PROJ



ORB G10 26



69151-G10
1 1/2" DIA
3/4" PROJ



G10



3413-26
1 1/2" DIA
5/8" PROJ



26



888-AE
1 3/8" DIA
5/8" PROJ



AE



53001-ORB
1 1/4" DIA
7/8" PROJ



ORB



53011-G10
1 1/4" DIA
1 1/8" PROJ



FB ORB G10



53015-G10
1 1/4" DIA
1" PROJ



FB ORB G10



173-ORB
3" C/C | 4 5/8" L



ORB G10



29113-G10
1 1/4" DIA
3/4" PROJ



ORB G10



29115-G10
1 1/2" DIA
1 1/8" PROJ



G10



53006-ORB
3" C/C | 3 3/8" L



ORB



3401-CB
3 1/4" C/C | 5 1/16" L



CB




3403-CB
1 1/4" DIA
3/4" PROJ



CB



29111-G10
128MM C/C | 6" L



G10



52996-G10
96MM C/C | 4 13/16" L



G10



69153-G10
3" C/C | 4" L



G10



3416-26
3" C/C | 4" L



26



53009-G10
3" C/C | 3 3/8" L



G10



76312-G10
4" C/C | 4 1/4" L



G10



867-CS26D
3 1/2" C/C | 3 13/16" L



CS26D CSG10



76313-26
6" C/C | 4 1/4" L



26

AVAILABLE FINISHES



36758-CZ
1 1/4" DIA | 1" PROJ



36762-CZ
76MM C/C | 4 7/8" L



36763-CZ
96MM C/C | 7 7/16" L



36764-CZ
76MM C/C | 3 3/4" L



36759-CZ
96MM C/C | 4 9/16" L



36760-CZ
128MM C/C | 5 13/16" L



36761-CZ
192MM C/C | 8 5/16" L



37363-CZ
8 13/16" C/C | 9 9/16" L



54030-CZ
12" C/C | 13" L
APPLIANCE PULL



54031-CZ
18" C/C | 19" L
APPLIANCE PULL



ASHBY

AVAILABLE FINISHES



36640-GM
76MM C/C | 5 1/8" L

BAR PULLS

AVAILABLE FINISHES



19010-SS
3" C/C | 5 3/8" L



19011-SS
96MM C/C | 6 1/8" L



19541-SS
128MM C/C | 7 3/8" L




19012-SS
192MM C/C | 9 15/16" L





19013-SS
256MM C/C | 13 1/4" L


AVAILABLE FINISHES





- 


19009-ORB
2" L | 1 3/8" PROJ
- 


40515-ORB
3" C/C | 5 3/8" L
- 


40516-ORB
96MM C/C | 6 1/8" L
- 


40517-ORB
128MM C/C | 7 3/8" L
- 


40520-ORB
160MM C/C | 8 5/8" L
- 


40521-ORB
178MM C/C | 9 3/8" L
- 


40518-ORB
192MM C/C | 9 7/8" L
- 


40519-ORB
256MM C/C | 13 1/4" L
- 


19014-ORB
320MM C/C | 15 3/4" L
- 


19015-ORB
416MM C/C | 19 1/2" L
- 


19016-ORB
480MM C/C | 22" L
- 

19017-ORB
544MM C/C | 24 9/16" L
- 

19018-ORB
640MM C/C | 28 3/8" L
- 

19019-ORB
768MM C/C | 33 3/8" L
- 

54008-ORB
12" C/C | 14 5/8" L
APPLIANCE PULL
- 

54025-ORB
18" C/C | 20 5/8" L
APPLIANCE PULL
- 

54025-ORB
18" C/C | 20 5/8" L
APPLIANCE PULL



BALATA

AVAILABLE FINISHES



37622-26
3" C/C | 3 9/16" L

37623-26
3 3/4" C/C | 4 5/16" L

37624-26
5 1/16" C/C | 5 9/16" L

37625-26
6 5/16" C/C | 6 13/16" L

37626-26
7 9/16" C/C | 8 1/8" L

37627-26
8 13/16" C/C | 9 3/8" L

37628-26
10 1/16" C/C | 10 11/16" L

37629-26
12 5/8" C/C | 13 3/16" L

37630-26
12" C/C | 12 13/16" L
APPLIANCE PULL

37631-26
18" C/C | 18 13/16" L
APPLIANCE PULL



37620-26
1" DIA | 1 5/16" PROJ



37632-26
1 1/8" DIA | 1 5/16" PROJ



37621-26
2" DIA | 1 3/8" PROJ



AVAILABLE FINISHES



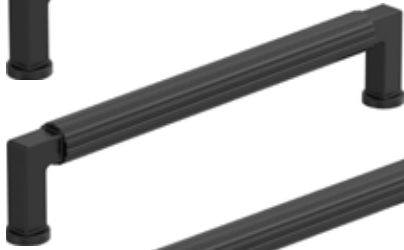
37642-MB
3" C/C | 3 9/16" L



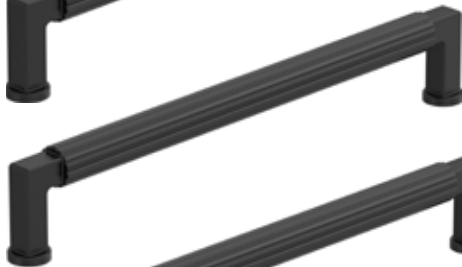
37643-MB
3 3/4" C/C | 4 5/16" L



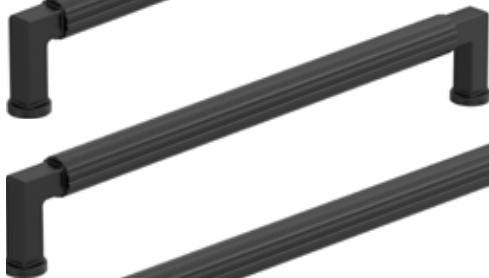
37644-MB
5 1/16" C/C | 5 9/16" L



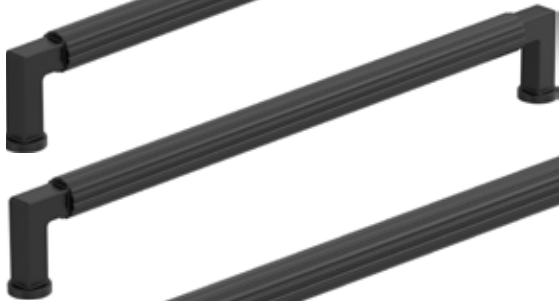
37645-MB
6 5/16" C/C | 6 13/16" L



37646-MB
7 9/16" C/C | 8 1/8" L



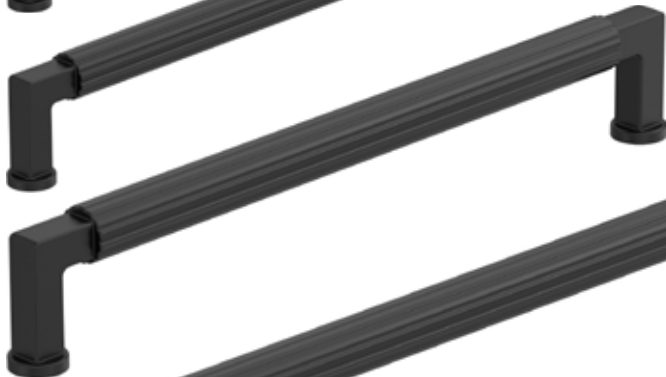
37647-MB
8 13/16" C/C | 9 3/8" L



37648-MB
10 1/16" C/C | 10 11/16" L



37649-MB
12 5/8" C/C | 13 3/16" L



37650-MB
12" C/C | 12 13/16" L
APPLIANCE PULL



37651-MB
18" C/C | 18 13/16" L
APPLIANCE PULL



37640-MB
1" L | 1 5/16" PROJ



37652-MB
1 1/8" DIA | 1 5/16" PROJ



37641-MB
2" DIA | 1 3/8" PROJ



BALON

AVAILABLE FINISHES



37482-CZ
3" C/C | 3 9/16" L

37483-CZ
3 3/4" C/C | 4 5/16" L

37484-CZ
5 1/16" C/C | 5 9/16" L

37485-CZ
6 5/16" C/C | 6 13/16" L

37486-CZ
7 9/16" C/C | 8 1/8" L

37487-CZ
8 13/16" C/C | 9 3/8" L

377488-CZ
10 1/16" C/C | 10 11/16" L

37489-CZ
12 5/8" C/C | 13 3/16" L

37490-CZ
12" C/C | 12 13/16" L
APPLIANCE PULL

37491-CZ
18" C/C | 18 13/16" L
APPLIANCE PULL



37480-CZ
1" L | 1 5/16" PROJ



37492-CZ
1 1/8" DIA | 1 5/16" PROJ



377481-CZ
2" DIA | 1 3/8" PROJ



AVAILABLE FINISHES



36710
3" C/C | 3 7/8" L



36688
3 3/4" C/C | 4 5/8" L



36689
5 1/16" C/C | 6 1/16" L



36690
6 5/16" C/C | 7 7/16" L



36711
7 9/16" C/C | 8 11/16" L



36691
8 13/16" C/C | 10" L



36712
10 1/16" C/C | 11 3/16" L



36714
12 5/8" C/C | 13 7/8" L



36713
12" C/C | 13 7/16" L
APPLIANCE PULL



36715
18" C/C | 19 1/2" L
APPLIANCE PULL



36687
1 1/2" L | 1 1/16" PROJ



BLACKROCK

AVAILABLE FINISHES



55274-BBZ
1 13/16" L | 3/4" PROJ



55270-BBZ
1 5/16" DIA | 1" PROJ



55275-BBZ
3" C/C | 3 3/4" L



55272-BBZ
1 5/8" DIA | 1 1/4" PROJ



55276-BBZ
96MM C/C | 4 5/8" L



55271-BBZ
1 3/16" L | 1 1/16" PROJ



55277-BBZ
128MM C/C | 6" L



55278-BBZ
160MM C/C | 7 1/4" L



55273-BBZ
1 1/2" L | 1 3/8" PROJ



55282-BBZ
203MM C/C | 8 15/16" L



55283-BBZ
256MM C/C | 11" L



55284-BBZ
320MM C/C | 13 9/16" L



55280-BBZ
12" C/C | 13 3/8" L
APPLIANCE PULL



55281-BBZ
18" C/C | 19 3/8" L
APPLIANCE PULL

AVAILABLE FINISHES



36557-GM
3" OR 3 3/4" C/C | 4 11/16" L



36558-GM
5 1/16" C/C | 5 15/16" L



36559-GM
6 5/16" C/C | 7 3/16" L



36562-GM
8" C/C | 8 7/8" L



36560-GM
10 1/16" C/C | 11" L



36561-GM
12 5/8" C/C | 13 1/2" L



54070-GM
12" C/C | 13" L
APPLIANCE PULL



54071-GM
18" C/C | 19" L
APPLIANCE PULL



54072-GM
24" C/C | 25" L
APPLIANCE PULL



36556-GM
2 5/8" C/C | 5/8" L



36554-GM
1 1/4" C/C | 1 5/16" L



CALATHEA

AVAILABLE FINISHES



100396-BCR
3 3/4" C/C | 4 7/16" L



1003128-BCR
5 1/16" C/C | 5 11/16" L



1003160-BCR
6 5/16" C/C | 7" L



10132-BCR
1 1/4" L | 1 1/8" PROJ



CARRIONE

AVAILABLE FINISHES



36639-MWBBZ
3" C/C | 5 7/16" L



36648-MWBBZ
3 3/4" C/C | 6 5/16" L



36649-MWBBZ
5 1/16" C/C | 7 1/2" L



36650-MWBBZ
6 5/16" C/C | 8 3/4" L



36663-MWBBZ
8" C/C | 10 7/16" L



36664-MWBBZ
10 1/16" C/C | 12 1/2" L



36647-MWBBZ
2 1/2" L | 1 9/16" PROJ



36638-MWBBZ
1 5/8" L | 1 5/16" PROJ



AVAILABLE FINISHES



37365-ORB
76MM C/C | 5 1/8" L



36873-ORB
96MM C/C | 5 7/8" L



36874-ORB
128MM C/C | 7 1/8" L



36875-ORB
160MM C/C | 8 7/16" L



36876-ORB
192MM C/C | 9 11/16" L



36959-ORB
224MM C/C | 10 15/16" L



36877-ORB
256MM C/C | 12 3/16" L



36960-ORB
12" C/C | 16" L
APPLIANCE PULL



36961-ORB
18" C/C | 22" L
APPLIANCE PULL



36872-ORB
1 1/4" DIA | 1 3/16" PROJ



CANDLER

AVAILABLE FINISHES



29349-BBZ
3" C/C | 4 3/8" L



29355-BBZ
96MM C/C | 5 1/8" L



29363-BBZ
128MM C/C | 6 1/2" L



29364-BBZ
160MM C/C | 8" L



29350-BBZ
192MM C/C | 9 1/2" L



29351-BBZ
224MM C/C | 10 7/8" L



29352-BBZ
256MM C/C | 12 3/16" L



29353-BBZ
320MM C/C | 14 13/16" L



29366-BBZ
12" C/C | 14 5/8" L
APPLIANCE PULL



29367-BBZ
18" C/C | 20 3/4" L
APPLIANCE PULL

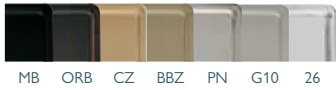


29340-BBZ
1 1/4" L | 1 1/8" PROJ



29368-BBZ
1 1/2" L | 1 1/4" PROJ

AVAILABLE FINISHES



37661-MB
3" C/C | 3 5/8" L



37662-MB
3 3/4" C/C | 4 3/8" L



37663-MB
5 1/16" C/C | 5 5/8" L



37664-MB
6 5/16" C/C | 6 7/8" L



37665-MB
7 9/16" C/C | 8 3/16" L



37666-MB
8 13/16" C/C | 9 1/2" L



37667-MB
10 1/16" C/C | 10 3/4" L



37668-MB
12 5/8" C/C | 13 1/4" L



37669-MB
12" C/C | 13" L
APPLIANCE PULL



37670-MB
18" C/C | 19" L
APPLIANCE PULL



37660-MB
1 1/8" L | 1 1/2" PROJ



COLLET

AVAILABLE FINISHES



37681-G10
3" C/C | 3 5/8" L



37682-G10
3 3/4" C/C | 4 3/8" L



37683-G10
5 1/16" C/C | 5 5/8" L



37684-G10
6 5/16" C/C | 6 7/8" L



37685-G10
7 9/16" C/C | 8 3/16" L



37686-G10
8 13/16" C/C | 9 1/2" L



37687-G10
10 1/16" C/C | 10 3/4" L



37688-G10
12 5/8" C/C | 13 1/4" L



37689-G10
12" C/C | 13" L
APPLIANCE PULL



37690-G10
18" C/C | 19" L
APPLIANCE PULL



37680-G10
1 1/8" L | 1 1/2" PROJ



AVAILABLE FINISHES



37701-ORB
3" C/C | 3 5/8" L



37702-ORB
3 3/4" C/C | 4 3/8" L



37703-ORB
5 1/16" C/C | 5 5/8" L



37704-ORB
6 5/16" C/C | 6 7/8" L



37705-ORB
7 9/16" C/C | 8 3/16" L



37706-ORB
8 13/16" C/C | 9 1/2" L



37707-ORB
10 1/16" C/C | 10 3/4" L



37708-ORB
12 5/8" C/C | 13 1/4" L



37709-ORB
12" C/C | 13" L
APPLIANCE PULL



37710-ORB
18" C/C | 19" L
APPLIANCE PULL



37700-ORB
1 1/8" L | 1 1/2" PROJ



CONCENTRIC

AVAILABLE FINISHES



36830-GM
3 3/4" C/C | 4 1/2" L

36831-GM
5 1/16" C/C | 5 3/4" L

36832-GM
6 5/16" C/C | 7" L

36833-GM
7 9/16" C/C | 8 1/4" L

36834-GM
10 1/16" C/C | 10 3/4" L



36810-GM
1 9/16" DIA | 1 9/16" L



36812-PN
3 3/4" CC | 4 3/16" L

36813-PN
5 1/16" CC | 5 7/16" L

36814-PN
6 5/16" CC | 6 11/16" L

36815-PN
7 9/16" CC | 7 15/16" L

36816-PN
10 1/16" CC | 10 7/16" L



36811-PN
1 1/4" CC | 1 11/16" L



CRAWFORD

AVAILABLE FINISHES



36593-BBZ
3 3/4" C/C | 4 11/16" L

36594-BBZ
5 1/16" C/C | 6 1/16" L

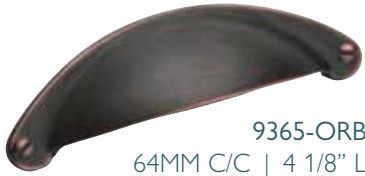
36595-BBZ
6 5/16" C/C | 7 3/8" L



36613-BBZ
1 3/8" DIA | 1 3/16" PROJ



CUP PULLS



9365-ORB
64MM C/C | 4 1/8" L



53019-G10
2 1/2" C/C | 3 1/8" L



53010-G10
3" C/C | 3 3/8" L



EDONA

AVAILABLE FINISHES



53005-CZ
1 1/4" DIA | 1 1/8" PROJ



ERA

AVAILABLE FINISHES




36907-G10
1 1/4" DIA | 1 1/8" PROJ





CYPRUS


AVAILABLE FINISHES





- 


26201-BBZ
3" C/C | 5 1/4" L
- 


26203-BBZ
96MM C/C | 6 9/16" L
- 


9362-BBZ
128MM C/C | 7 3/16" L
- 

26204-BBZ
160MM C/C | 9 1/8" L
- 

26208-BBZ
192MM C/C | 10 7/8" L
- 

26209-BBZ
224MM C/C | 12 1/8" L
- 

26210-BBZ
256MM C/C | 13 7/16" L
- 


26206-BBZ
12" C/C | 16" L
APPLIANCE PULL
- 


26207-BBZ
18" C/C | 22" L
APPLIANCE PULL


EDGE PULLS

AVAILABLE FINISHES



- 

36573-ORB
3" C/C | 3 7/8" L
- 

36574-ORB
96MM C/C | 4 9/16" L
- 

36575-ORB
128MM C/C | 5 13/16" L

AVAILABLE FINISHES



36600-ORB
3" C/C | 4 1/2" L



36605-ORB
3 3/4" C/C | 5 5/16" L



36606-ORB
5 1/16" C/C | 6 9/16" L



36607-ORB
6 5/16" C/C | 7 13/16" L



36618-ORB
7 9/16" C/C | 9 1/16" L



36619-ORB
8 13/16" C/C | 10 5/16" L



36620-ORB
10 1/16" C/C | 11 9/16" L



36698-ORB
12 5/8" C/C | 14 1/16" L



36697-ORB
12" C/C | 14 9/16" L
APPLIANCE PULL



36699-ORB
18" C/C | 20 1/2" L
APPLIANCE PULL



36601-ORB
1 1/4" L | 1 3/16" PROJ



36602-ORB
1 1/2" L | 1 3/8" PROJ



DESTINE

AVAILABLE FINISHES



36857-G10
1 3/8" L | 1" PROJ



37370-G10
76MM C/C | 4 1/8" L



36858-G10
96MM C/C | 4 15/16" L



36859-G10
128MM C/C | 6 3/16" L



36860-G10
160MM C/C | 7 7/16" L



36901-G10
192MM C/C | 8 11/16" L



36902-G10
256MM C/C | 11 1/2" L



36903-G10
320MM C/C | 14" L



36861-G10
224MM C/C | 9 15/16" L



54035-G10
12" C/C | 14 15/16" L
APPLIANCE PULL





54036-G10
18" C/C | 20 15/16" L
APPLIANCE PULL





AVAILABLE FINISHES





- 


37503
3" C/C | 3 3/4" L
 - 


37504
3 3/4" C/C | 4 9/16" L
 - 


37505
5 1/16" C/C | 5 13/16" L
 - 


37506
6 5/16" C/C | 7 1/16" L
 - 


37507
7 9/16" C/C | 8 5/16" L
 - 


37508
8 13/16" C/C | 9 5/8" L
 - 


37509
10 1/16" C/C | 10 7/8" L
 - 

37510
12 5/8" C/C | 13 3/8" L
 - 

37511
12" C/C | 13 3/16" L
APPLIANCE PULL
 - 

37512
18" C/C | 19 1/4" L
APPLIANCE PULL
 - 

37513
24" C/C | 25 1/4" L
APPLIANCE PULL
- 

37501
1 1/4" L | 1 1/16" PROJ
- 

37502
1 3/4" DIA | 1 1/4" PROJ



ENLIVITY

AVAILABLE FINISHES



37721-PN
3" C/C | 3 3/4" L



37722-PN
3 3/4" C/C | 4 9/16" L



37723-PN
5 1/16" C/C | 5 13/16" L



37724-PN
6 5/16" C/C | 7 1/8" L



37725-PN
7 9/16" C/C | 8 3/8" L



37726-PN
8 13/16" C/C | 9 11/16" L



37727-PN
10 1/16" C/C | 10 15/16" L



37728-PN
12 5/8" C/C | 13 7/16" L



37729-PN
12" C/C | 13 3/16" L
APPLIANCE PULL



37730-PN
18" C/C | 19 3/16" L
APPLIANCE PULL



37720-PN
1" L | 1 1/4" PROJ



AVAILABLE FINISHES



36556-G10ORB
2 5/8" L | 1 1/2" PROJ



36557-G10ORB
3" C/C | 4 11/16" L



36558-G10ORB
128MM C/C | 5 15/16" L



36559-G10ORB
160MM C/C | 7 3/16" L



36562-G10ORB
203MM C/C | 8 7/8" L



36560-G10ORB
256 MM C/C | 11" L



36561-G10ORB
320MM C/C | 13 1/2" L



54040-G10ORB
12" C/C | 13" L
APPLIANCE PULL



54041-G10ORB
18" C/C | 19" L
APPLIANCE PULL



54042-G10ORB
24" C/C | 25" L
APPLIANCE PULL





36554-G10ORB
1 1/4" L | 1 5/16" PROJ





AVAILABLE FINISHES





- 


37375-CZ
76MM C/C | 4 1/2" L
- 


36881-CZ
96MM C/C | 5 1/4" L
- 


36882-CZ
128MM C/C | 6" L
- 


36883-CZ
160MM C/C | 7 1/4" L
- 

36922-CZ
192MM C/C | 9 1/16" L
- 

36884-CZ
224MM C/C | 9 13/16" L
- 

36923-CZ
256MM C/C | 11 5/8" L
- 

36925-CZ
320MM C/C | 14 3/16" L
- 

36924-CZ
12" C/C | 13 3/4" L
APPLIANCE PULL
- 

36926-CZ
18" C/C | 19 11/16" L
APPLIANCE PULL



36880-CZ
1 1/2" DIA | 1 3/16" PROJ



AVAILABLE FINISHES



37103-G10
76MM C/C | 4 9/16" L



37104-G10
96MM C/C | 5 5/16" L



37105-G10
128MM C/C | 6 3/4" L



37106-G10
160MM C/C | 8 1/16" L



37107-G10
192MM C/C | 9 7/16" L



37108-G10
224MM C/C | 11" L



37109-G10
256MM C/C | 12 1/4" L



37110-G10
12" C/C | 14 11/16" L
APPLIANCE PULL



37111-G10
18" C/C | 20 11/16" L
APPLIANCE PULL



37100-G10
1 3/4" L | 1 1/4" PROJ



37101-G10
1 1/4" DIA | 1 3/16" PROJ



37102-G10
1 5/16" DIA | 1 1/4" PROJ



ESSENTIAL'Z STAINLESS STEEL



AVAILABLE FINISH



SS



19001-SS
3" C/C | 3 5/8" L



19002-SS
96MM C/C | 4 9/16" L



19003-SS
128MM C/C | 5 15/16" L



19004-SS
160MM C/C | 7 3/8" L



19005-SS
192MM C/C | 8 7/8" L



19008-SS
1 1/4" DIA
1 1/8" PROJ



26200-SS
32MM DIA
1" PROJ

EXTENSITY



AVAILABLE FINISHES



FB ORB CZ G10 26



29379-G10
3" C/C | 4 1/8" L



29385-G10
96MM C/C | 5" L



29393-G10
128MM C/C | 6 1/4" L



29394-G10
160MM C/C | 7 1/2" L



29370-G10
1 3/16" L | 1 1/16" PROJ

AVAILABLE FINISHES



37380-G10
76MM C/C | 3 5/8" L



36781-G10
96MM C/C | 4 5/16" L



36782-G10
128MM C/C | 5 9/16" L



37381-G10
160MM C/C | 6 13/16" L



36783-G10
192MM C/C | 8 1/8" L



36963-G10
224MM C/C | 9 1/2" L



36964-G10
256MM C/C | 10 3/4" L



36966-G10
320MM C/C | 13 1/4" L



36965-G10
12" C/C | 13 1/8" L
APPLIANCE PULL



36967-G10
18" C/C | 19 1/16" L
APPLIANCE PULL



36780-G10
1 1/14" DIA | 1 1/16" PROJ



FAIRCREST

AVAILABLE FINISHES



37462-MB
3" C/C | 3 7/8" L



37463-MB
3 3/4" C/C | 4 5/8" L



37464-MB
5 1/16" C/C | 5 7/8" L



37465-MB
6 5/16" C/C | 7 1/8" L



37466-MB
7 9/16" C/C | 8 7/16" L



37467-MB
8 13/16" C/C | 9 11/16" L



37468-MB
10 1/16" C/C | 10 15/16" L



37469-MB
12 5/8" C/C | 13 7/16" L



37470-MB
12" C/C | 13 1/4" L
APPLIANCE PULL



37471-MB
18" C/C | 19 1/4" L
APPLIANCE PULL



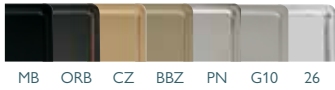
37460-MB
1 1/4" L | 1 1/16" PROJ



37461-MB
2" L | 1 5/16" PROJ



AVAILABLE FINISHES



37742-BBZ
3" C/C | 3 7/8" L



37743-BBZ
3 3/4" C/C | 4 5/8" L



37744-BBZ
5 1/16" C/C | 5 7/8" L



37745-BBZ
6 5/16" C/C | 7 1/8" L



37746-BBZ
7 9/16" C/C | 8 7/16" L



37747-BBZ
8 13/16" C/C | 9 11/16" L



37748-BBZ
10 1/16" C/C | 10 15/16" L



37749-BBZ
12 5/8" C/C | 13 7/16" L



37750-BBZ
12" C/C | 13 1/4" L
APPLIANCE PULL



37751-BBZ
18" C/C | 19 1/4" L
APPLIANCE PULL



37740-BBZ
1 1/4" L | 1 1/16" PROJ



37741-BBZ
2" L | 1 5/16" PROJ



FAREWIND

AVAILABLE FINISHES



37802-PN
3" C/C | 3 7/8" L



37803-PN
3 3/4" C/C | 4 5/8" L



37804-PN
5 1/16" C/C | 5 7/8" L



37805-PN
6 5/16" C/C | 7 1/8" L



37806-PN
7 9/16" C/C | 8 7/16" L



37807-PN
8 13/16" C/C | 9 11/16" L



37808-PN
10 1/16" C/C | 10 15/16" L



37809-PN
12 5/8" C/C | 13 7/16" L



37810-PN
12" C/C | 13 1/4" L
APPLIANCE PULL



37811-PN
18" C/C | 19 1/4" L
APPLIANCE PULL



37800-PN
1 1/4" L | 1 1/16" PROJ



37801-PN
2" L | 1 5/16" PROJ



AVAILABLE FINISHES



37537-CZ
3 3/4" C/C | 4 5/8" L



37538-CZ
5 1/16" C/C | 5 7/8" L



37539-CZ
6 5/16" C/C | 7 1/8" L



37540-CZ
7 9/16" C/C | 8 7/16" L



37541-CZ
8 13/16" C/C | 9 13/16" L



37542-CZ
10 1/16" C/C | 11 1/16" L



37543-CZ
12 5/8" C/C | 13 9/16" L



37544-CZ
12" C/C | 13 1/4" L
APPLIANCE PULL



37545-CZ
18" C/C | 19 1/4" L
APPLIANCE PULL



37546-CZ
24" C/C | 25 1/4" L
APPLIANCE PULL



37535-CZ
1 1/4" L | 1 3/16" PROJ



37536-CZ
1 1/2" DIA | 1 3/16" PROJ



FAIRLANE

AVAILABLE FINISHES



37537-CNLG10
3 3/4" C/C | 4 5/8" L



37538-CNLG10
5 1/16" C/C | 5 7/8" L



37539-CNLG10
6 5/16" C/C | 7 1/8" L



37540-CNLG10
7 9/16" C/C | 8 7/16" L



37541-CNLG10
8 13/16" C/C | 9 13/16" L



37542-CNLG10
10 1/16" C/C | 11 1/16" L



37543-CNLG10
12 5/8" C/C | 13 9/16" L



37544-CNLG10
12" C/C | 13 1/4" L
APPLIANCE PULL



37545-CNLG10
18" C/C | 19 1/4" L
APPLIANCE PULL



37546-CNLG10
24" C/C | 25 1/4" L
APPLIANCE PULL



37535-CNLG10
1 1/4" L | 1 3/16" PROJ



37536-CNLG10
1 1/2" DIA | 1 3/16" PROJ

GLACIO

AVAILABLE FINISHES



36975-CBBZ
1 3/8" L | 1 5/16" PROJ



36976-CBBZ
1 1/2" L | 1 5/16" PROJ



36977-CBBZ
2 1/8" L | 1 1/2" PROJ



36651-CBBZ
1 3/4" L | 1 3/16" PROJ



36659-CBBZ
3" C/C | 4 9/16" L



36654-CBBZ
3 3/4" C/C | 5 5/16" L



36655-CBBZ
5 1/16" C/C | 6 9/16" L



36656-CBBZ
6 5/16" C/C | 7 7/8" L



36661-CBBZ
8" C/C | 9 9/16" L



36652-CBBZ
1 3/8" L | 1" PROJ



36653-CBBZ
1 3/8" L | 5/16" PROJ



AVAILABLE FINISHES



53013-ORB
3" C/C | 3 3/8" L



55243-ORB
96MM C/C | 4 1/5" L



55244-ORB
128MM C/C | 5 1/2" L



55245-ORB
160MM C/C | 6 7/8" L

GRANBY



HIGHLAND RIDGE

AVAILABLE FINISHES



55311-PN
35MM L | 1 1/7" PROJ



55312-PN
28MM DIA | 1 1/5" PROJ



55315-PN
1 3/8" L
1 5/16" PROJ
ONLY AVAILABLE IN: DOB, PN



55316-PN
3" C/C | 4 1/3" L



55317-PN
96MM C/C | 5 1/6" L



55319-PN
128MM C/C | 6 2/3" L



55321-PN
160MM C/C | 8 4/7" L



55327-PN
192MM C/C | 9 13/16" L



55328-PN
224MM C/C | 11 1/4" L



55329-PN
256MM C/C | 12 5/8" L



55323-PN
12" C/C | 15 1/3" L
APPLIANCE PULL



55324-PN
18" C/C | 20 7/8" L
APPLIANCE PULL

GRACE REVITALIZE

AVAILABLE FINISHES



36628-BBZ
1 3/8" DIA
1 3/16" PROJ



36629-BBZ
1 3/4" DIA
1 3/8" PROJ



AVAILABLE FINISHES



INSPIRATIONS



1590-ORB
3" C/C | 5 5/8" L



1587-ORB
96MM C/C | 6 5/16" L



1588-ORB
128MM C/C | 7 1/2" L



1589-ORB
160MM C/C | 8 5/8" L



1592-ORB
3" C/C | 4 1/4" L



1586-ORB
1 3/8" DIA | 1" PROJ



1586-2-ORB
1 3/4" DIA | 1 1/4" PROJ



1593-CZ
1 7/8" L | 1 1/16" PROJ



AVAILABLE FINISHES



KAMARI



36822-MB
3 3/4" C/C | 4 15/16" L



36823-MB
5 1/16" C/C | 6 3/16" L



36824-MB
6 5/16" C/C | 7 7/16" L



36825-MB
7 9/16" C/C | 8 3/4" L



36826-MB
10 1/16" C/C | 11 1/4" L



36820-MB
1 3/16" DIA | 1" PROJ



36821-MB
1 3/16" DIA | 1" PROJ



KANE

AVAILABLE FINISHES



53701-PN
3" C/C | 3 5/8" L



53702-PN
96MM C/C | 4 1/2" L



53802-PN
128MM C/C | 5 3/4" L



53803-PN
160MM C/C | 7" L



53808-PN
192MM C/C | 8 3/16" L



53809-PN
224MM C/C | 9 1/2" L



53810-PN
256MM C/C | 10 3/4" L



53811-PN
320MM C/C | 13 5/16" L



53805-PN
12" C/C | 13" L
APPLIANCE PULL



53806-PN
18" C/C | 19 1/4" L
APPLIANCE PULL



53801-PN
96MM C/C | 4 1/3" L



53700-PN
1 1/4" DIA | 1 1/4" PROJ



53807-2-PN
1 5/8" DIA | 1 1/2" PROJ

AVAILABLE FINISHES



37761-BBZ
3" C/C | 4 1/8" L



37762-BBZ
3 3/4" C/C | 5" L



37763-BBZ
5 1/16" C/C | 6 5/16" L



37764-BBZ
6 5/16" C/C | 7 5/8" L



37765-BBZ
7 9/16" C/C | 8 7/8" L



37766-BBZ
8 13/16" C/C | 10 3/16" L



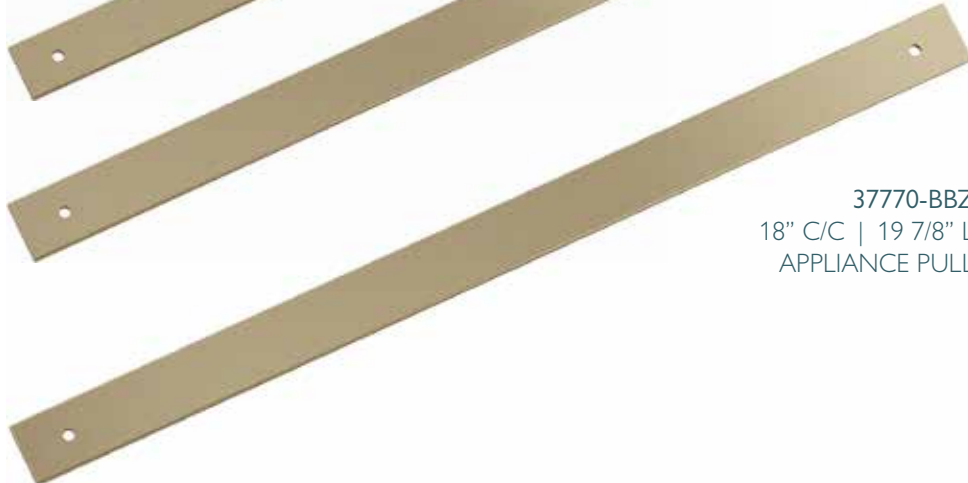
37767-BBZ
10 1/16" C/C | 11 7/16" L



37768-BBZ
12 5/8" C/C | 13 15/16" L



37769-BBZ
12" C/C | 13 7/8" L
APPLIANCE PULL



37770-BBZ
18" C/C | 19 7/8" L
APPLIANCE PULL



37760-BBZ
1 13/16" L | 1/8" PROJ



LINTEL

AVAILABLE FINISHES



37441-ORB
3" C/C | 3 3/4" L



37442-ORB
3 3/4" C/C | 4 9/16" L



37443-ORB
5 1/16" C/C | 5 13/16" L



37444-ORB
6 5/16" C/C | 7 1/16" L



37445-ORB
7 9/16" C/C | 8 5/16" L



37446-ORB
8 13/16" C/C | 9 11/16" L



37447-ORB
10 1/16" C/C | 10 15/16" L



37448-ORB
12 5/8" C/C | 13 7/16" L



37449-ORB
12" C/C | 13 1/4" L
APPLIANCE PULL



37450-ORB
18" C/C | 19 1/4" L
APPLIANCE PULL



37440-ORB
1 1/4" L | 1 1/8" PROJ



AVAILABLE FINISH



36639-BBRG10
3" L | 5 7/16" L



36648-BBRG10
3 3/4" C/C | 6 5/16" L



36649-BBRG10
5 1/16" C/C | 7 1/2" L



36650-BBRG10
6 5/16" C/C | 8 3/4" L



36663-BBRG10
8" C/C | 10 7/16" L



36664-BBRG10
10 1/16" C/C | 12 1/2" L



36647-BBRG10
1 1/2" L | 1 9/16" PROJ



36638-BBRG10
1 5/8" L | 1 5/16" PROJ



MERGENCE

AVAILABLE FINISHES



36857-FBG10
1 3/8" DIA | 1" PROJ

37385-FBG10
76MM C/C | 4 1/8" L

36858-FBG10
96MM C/C | 4 15/16" L

36859-FBG10
128MM C/C | 6 3/16" L

36860-FBG10
160MM C/C | 7 7/16" L

36980-FBG10
192MM C/C | 8 11/16" L

36861-FBG10
224MM C/C | 9 15/16" L

36981-FBG10
256MM C/C | 11 1/2" L

36983-FBG10
320MM C/C | 14" L

36982-FBG10
12" C/C | 13" L
APPLIANCE PULL

36984-FBG10
18" C/C | 19" L
APPLIANCE PULL



AVAILABLE FINISHES



37587-26
3" C/C | 4 15/16" L



37588-26
3 3/4" C/C | 5 11/16" L



37589-26
5 1/16" C/C | 6 15/16" L



37590-26
6 5/16" C/C | 8 3/16" L



37591-26
7 9/16" C/C | 9 7/16" L



37592-26
8 13/16" C/C | 10 11/16" L



37593-26
10 1/16" C/C | 12" L



37594-26
12 5/8" C/C | 14 1/2" L



37586-26
1 5/8" L | 1/8" PROJ



MEDORA

AVAILABLE FINISHES



37781-MB
3" C/C | 4 1/8" L



37782-MB
3 3/4" C/C | 5" L



37783-MB
5 1/16" C/C | 6 5/16" L



37784-MB
6 5/16" C/C | 7 5/8" L



37785-MB
7 9/16" C/C | 8 7/8" L



37786-MB
8 13/16" C/C | 10 3/16" L



37787-MB
10 1/16" C/C | 11 7/16" L



37788-MB
12 5/8" C/C | 13 15/16" L



37789-MB
12" C/C | 13 7/8" L
APPLIANCE PULL



37790-MB
18" C/C | 19 7/8" L
APPLIANCE PULL



37780-MB
3 11/16" L | 1/8" PROJ

AVAILABLE FINISHES



37422-CZ
3" C/C | 3 1/2" L



37423-CZ
3 3/4" C/C | 4 1/4" L



37424-CZ
5 1/16" C/C | 5 1/2" L



37425-CZ
6 5/16" C/C | 6 13/16" L



37426-CZ
7 9/16" C/C | 8 1/16" L



37427-CZ
8 13/16" C/C | 9 5/16" L



37428-CZ
10 1/16" C/C | 10 9/16" L



37429-CZ
12 5/8" C/C | 13 1/8" L



37430-CZ
12" C/C | 12 5/8" L
APPLIANCE PULL



37431-CZ
18" C/C | 18 9/16" L
APPLIANCE PULL



37420-CZ
1 1/4" L | 1 1/8" PROJ



37421-CZ
2" DIA | 1 3/8" PROJ



MONUMENT

AVAILABLE FINISHES



36578-ORB
76MM C/C | 3 3/8" L



36570-ORB
96MM C/C | 4 1/8" L



36571-ORB
128MM C/C | 5 7/16" L



36572-ORB
160MM C/C | 6 11/16" L



36908-ORB
192MM C/C | 7 15/16" L



36909-ORB
224MM C/C | 9 13/16" L



36910-ORB
256MM C/C | 10 7/16" L



36911-ORB
320MM C/C | 13" L



54045-ORB
12" C/C | 12 11/16" L
APPLIANCE PULL



54046-ORB
18" C/C | 18 11/16" L
APPLIANCE PULL



36905-ORB
1 3/16" DIA | 1" PROJ



MULHOLLAND

AVAILABLE FINISHES



53030-BBZ
3" C/C | 3 3/4" L



53031-BBZ
96MM C/C | 4 9/16" L



53529-BBZ
128MM C/C | 5 7/8" L



53530-BBZ
160MM C/C | 7 1/8" L



53535-BBZ
203MM C/C | 8 7/8" L



53536-BBZ
256MM C/C | 11" L



53537-BBZ
320MM C/C | 13 1/2" L



53532-BBZ
12" C/C | 13 1/4" L



53533-BBZ
18" C/C | 19 1/4" L



53029-BBZ
1 1/4" L | 1 1/8" PROJ



535342-BBZ
1 1/2" L | 1 1/8" PROJ



AVAILABLE FINISHES

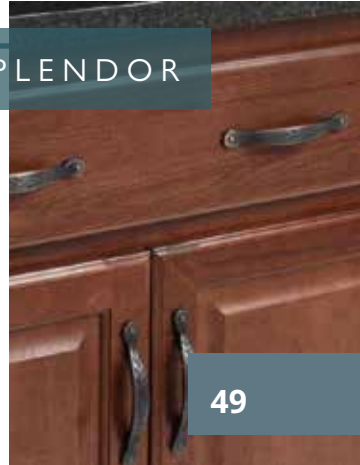


1581-ORB
1 1/4" DIA
1 1/8" PROJ



1580-ORB
3" C/C | 5 5/8" L

NATURE'S SPLENDOR

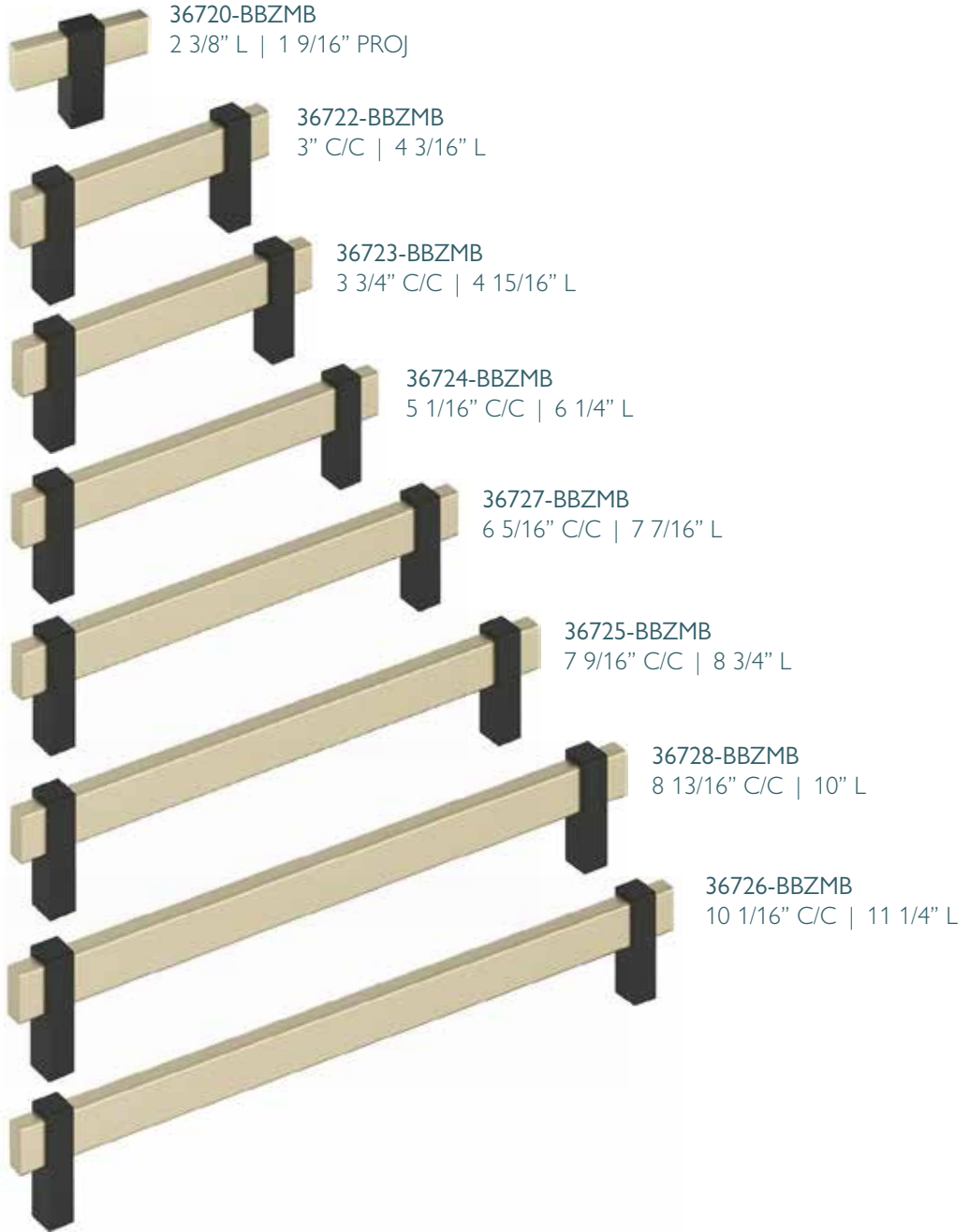


MULINO

AVAILABLE FINISHES



NOTE: 36720, 36722, 36727, 36728 are available only in G1026 BBZ26, BBZMB, MB26, MBBBZ, MBCZ Finishes.



OBERON



AVAILABLE FINISHES



NOTE: 36682 is not available in G1026 Finish. 36683 is not available in BGLBCR, G1026, BMBBGL Finishes. 37080, 37081, 37082, 37083 are not available in BGLBCR, G1026, BMBBGL, BGLG10, BCRBGL Finishes.



37080-BMBG10
3" C/C | 4 1/8" L



36681-BMBG10
3 3/4" C/C | 4 15/16" L



36682-BMBG10
5 1/16" C/C | 6 3/16" L



36683-BMBG10
6 5/16" C/C | 7 7/16" L



37081-BMBG10
7 9/16" C/C | 8 11/16" L



36684-BMBG10
8 13/16" C/C | 10" L



37082-BMBG10
10 1/16" C/C | 11 3/16" L



37083-BMBG10
12 5/8" C/C | 13 3/4" L



37084-BMBG10
12" C/C | 13 7/16" L
APPLIANCE PULL



37085-BMBG10
18" C/C | 19 1/2" L
APPLIANCE PULL



36680-BMBG10
2 5/8" L | 1 3/16" PROJ



PAILOU

AVAILABLE FINISHES



37322-26
3 3/4" C/C | 5 5/16" L



37323-26
5 1/16" C/C | 6 9/16" L



37324-26
6 5/16" C/C | 7 13/16" L

PARABOLIC

AVAILABLE FINISHES



37345-FB
3" C/C | 3 5/8" L



37346-FB
3 3/4" C/C | 4 1/2" L



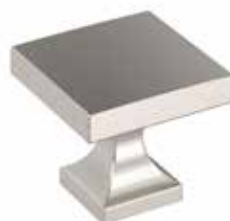
37347-FB
5 1/16" C/C | 5 7/8" L



37348-FB
6 5/16" C/C | 7 3/16" L

PEDESTAL

AVAILABLE FINISHES

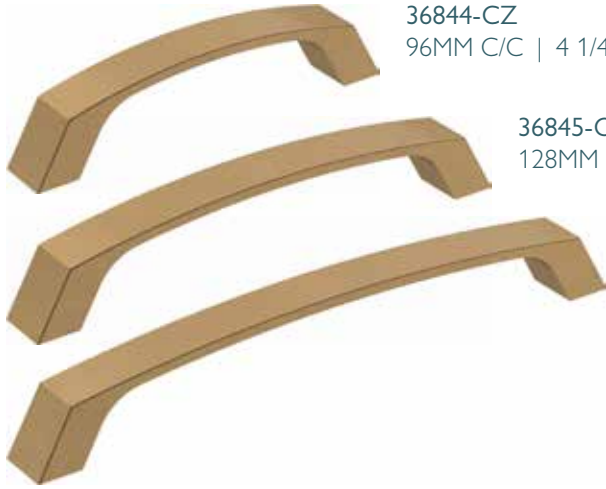


37024-G10
1 1/16" DIA | 1" PROJ



PREMISE

AVAILABLE FINISHES



36844-CZ
96MM C/C | 4 1/4" L

36845-CZ
128MM C/C | 5 9/16" L

36846-CZ
160MM C/C | 6 13/16" L



36843-CZ
1 1/4" DIA | 1 1/16" PROJ

AVAILABLE FINISHES



37321-G10
1 9/16" L | 11/16" PROJ

PROMINENCE



AVAILABLE FINISHES



21935-CZ
76MM C/C | 5" L

21936-CZ
96MM C/C | 5 3/4" L

21937-CZ
128MM C/C | 7 1/16" L

21938-CZ
160MM C/C | 8 5/16" L



22094-CZ
76MM C/C | 3 11/16" L



53012-CZ
1 1/4" DIA
1 1/8" PROJ


RAVINO





RADIUS


AVAILABLE FINISHES





- 


37390-FB
76MM C/C | 5" L
- 


36865-FB
96MM C/C | 5 3/4" L
- 


36866-FB
128MM C/C | 7 1/16" L
- 


36867-FB
160MM C/C | 8 5/16" L
- 


36868-FB
192MM C/C | 9 9/16" L
- 

36870-FB
224MM C/C | 10 13/16" L
- 

36869-FB
256MM C/C | 12 1/16" L
- 

37391-FB
320MM C/C | 14 5/8" L
- 

54050-FB
12" C/C | 14 15/16" L
APPLIANCE PULL
- 

54051-FB
18" C/C | 21" L
APPLIANCE PULL
- 

54052-FB
24" C/C | 27" L
APPLIANCE PULL





36864-FB
1 1/4" DIA | 1 1/16" PROJ





AVAILABLE FINISHES





- 

37395-ORB
76MM C/C | 3 5/8" L
- 


36794-ORB
96MM C/C | 4 7/16" L
- 


36795-ORB
128MM C/C | 5 11/16" L
- 


36796-ORB
160MM C/C | 7" L
- 

36986-ORB
192MM C/C | 8 1/4" L
- 

36987-ORB
224MM C/C | 9 1/2" L
- 

36988-ORB
256MM C/C | 10 3/4" L
- 

36989-ORB
320MM C/C | 13 3/8" L
- 

54055-ORB
12" C/C | 13 1/16" L
APPLIANCE PULL
- 

54056-ORB
18" C/C | 19 5/16" L
APPLIANCE PULL



36793-ORB
1 1/4" DIA | 1 1/8" PROJ



REVITALIZE

AVAILABLE FINISHES



55343-ORB
3" C/C | A3 11/16" L

55344-ORB
96MM C/C | 4 5/16" L

55346-ORB
128MM C/C | 5 5/8" L

55347-ORB
160MM C/C | 6 7/8" L

55351-ORB
203MM C/C | 8 9/16" L

55354-ORB
256MM C/C | 10 11/16" L

55355-ORB
320MM C/C | 13 1/4" L

55349-ORB
12" C/C | 13" L
APPLIANCE PULL

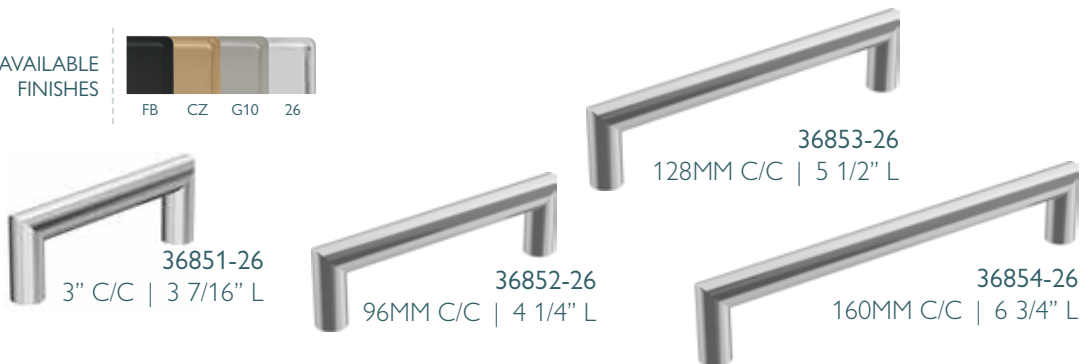
55350-ORB
18" C/C | 18 7/8" L
APPLIANCE PULL

55340-ORB
1 1/4" L | 7/8" PROJ

55342-ORB
1 1/4" DIA | 1 1/4" PROJ

REVOLVE

AVAILABLE FINISHES



36851-26
3" C/C | 3 7/16" L

36852-26
96MM C/C | 4 1/4" L

36853-26
128MM C/C | 5 1/2" L

36854-26
160MM C/C | 6 3/4" L

RIFT

AVAILABLE FINISHES



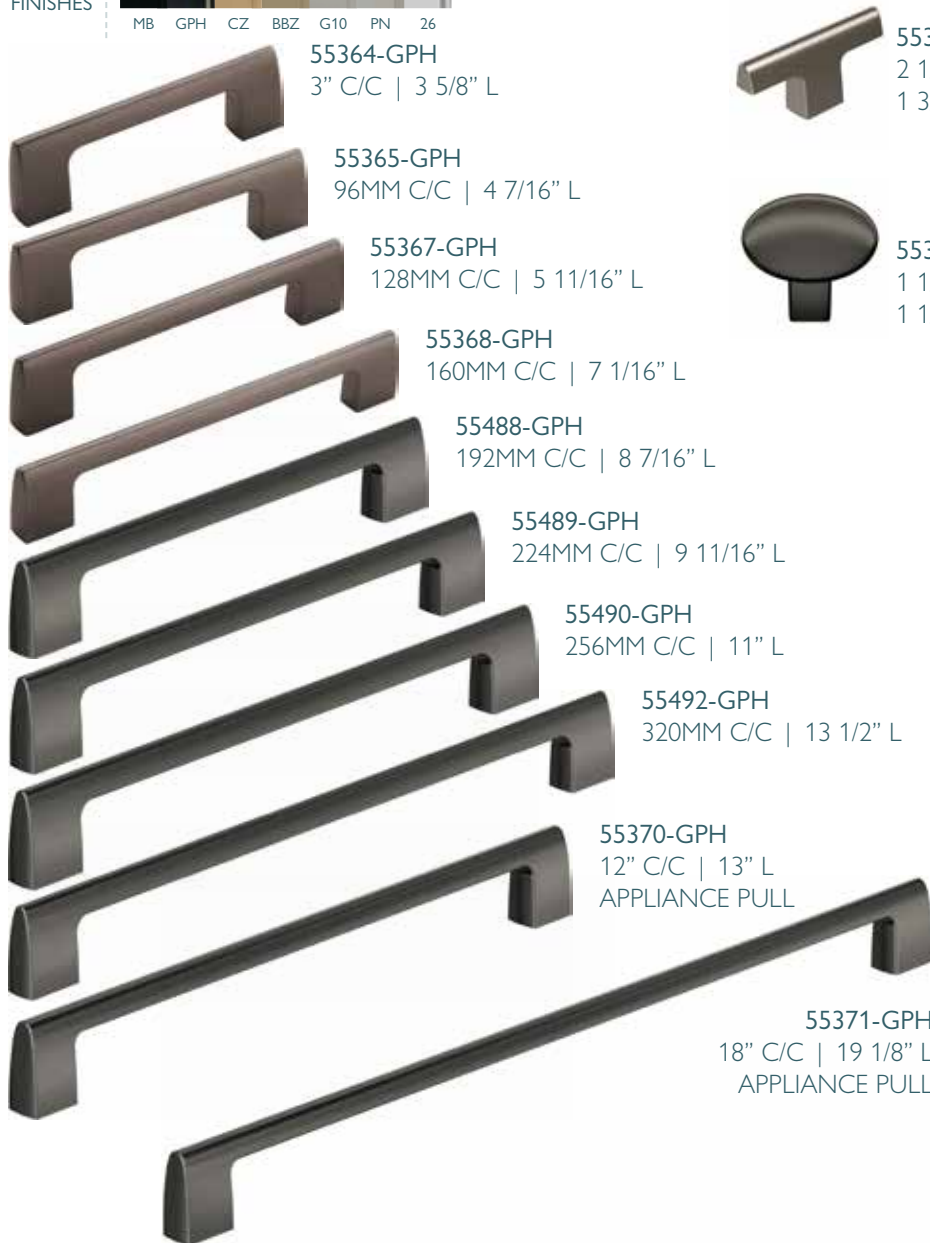
36898-FB
3" C/C | 3 1/2" L

36899-FB
96MM C/C | 4 1/4" L

36900-FB
128MM C/C | 5 1/2" L

RIVA

AVAILABLE FINISHES



55364-GPH
3" C/C | 3 5/8" L

55365-GPH
96MM C/C | 4 7/16" L

55367-GPH
128MM C/C | 5 11/16" L

55368-GPH
160MM C/C | 7 1/16" L

55488-GPH
192MM C/C | 8 7/16" L

55489-GPH
224MM C/C | 9 11/16" L

55490-GPH
256MM C/C | 11" L

55492-GPH
320MM C/C | 13 1/2" L

55370-GPH
12" C/C | 13" L
APPLIANCE PULL

55371-GPH
18" C/C | 19 1/8" L
APPLIANCE PULL



55361-GPH
2 1/2" L
1 3/16" PROJ




55362-GPH
1 1/4" DIA
1 1/16" PROJ





ROCKHURST


AVAILABLE FINISHES





- 


37572
3 3/4" C/C | 4 3/16" L
- 


37573-BBZ
5 1/16" C/C | 5 7/16" L
- 


37574-BBZ
6 5/16" C/C | 6 3/4" L
- 


37575-BBZ
7 9/16" C/C | 8" L
- 


37576-BBZ
8 13/16" C/C | 9 1/4" L
- 

37577-BBZ
10 1/16" C/C | 10 9/16" L
- 

37578-BBZ
12 5/8" C/C | 13 1/16" L
- 

37579-BBZ
12" C/C | 12 11/16" L
APPLIANCE PULL
- 

37580-BBZ
18" C/C | 18 11/16" L
APPLIANCE PULL
- 

37570-BBZ
1 1/4" L | 1" PROJ
- 

37571-BBZ
1 5/8" DIA | 1 5/16" PROJ



ROCHDALE

AVAILABLE FINISHES



GPH G10



53710-G10
1 1/4" DIA
1 1/8" PROJ



53711-G10
3" C/C | 4" L



53712-G10
96MM C/C | 4 3/4" L



53713-G10
128MM C/C | 6" L



53714-G10
160MM C/C | 7 1/4" L



53715-G10
3" C/C | 4 1/2" L



53716-G10
96MM C/C | 5 3/8" L



AVAILABLE FINISHES



ORB BBZ G10



36617-BBZ
1 3/4" L | 1 5/16" PROJ



36614-BBZ
1 1/2" L | 1 3/16" PROJ



36615-BBZ
3" C/C | 3 7/8" L



36621-BBZ
3 3/4" C/C | 5" L



36622-BBZ
5 1/16" C/C | 6 1/4" L



36623-BBZ
6 5/16" C/C | 7 1/2" L

SEA GRASS



SEPARA

AVAILABLE FINISHES



BBN 26



36735-BBN
160MM C/C | 8 13/16" L



36736-BBN
8" C/C | 10 1/2" L



36737-BBN
10 1/16" C/C | 12 5/8" L

SHEFFIELD

AVAILABLE FINISHES



FB ORB CZ G10 26



37040-CZ
3" C/C | 4 3/8" L



37041-CZ
3 3/4" C/C | 5 1/32" L



37042-CZB
5 1/16" C/C | 6 3/8" L



37043-CZ
6 5/16" C/C | 7 11/16" L

AVAILABLE FINISHES



37023-ORB
1 7/16" DIA | 13/16" PROJ



AVAILABLE FINISHES



36646-PN
3" C/C | 5 7/16" L



36643-PN
3 3/4" C/C | 6 5/16" L



36644-PN
5 1/16" C/C | 7 1/2" L



36645-PN
6 5/16" C/C | 8 3/4" L



55500-PN
8" C/C | 10 7/16" L



55501-PN
10 1/16" C/C | 12 9/16" L



55503-PN
18" C/C | 21 3/16" L
APPLIANCE PULL



36641-PN
1 5/8" L | 1 3/16" PROJ



36642-PN
2 1/2" L | 1 7/16" PROJ



STATURE

AVAILABLE FINISHES



	36891-26 76MM C/C 3 3/4" L		22439-26 128MM C/C 6 3/8" L
	36887-26 96MM C/C 4 9/16" L		11287-26 1 1/4" L 1 1/4" PROJ
	36888-26 128MM C/C 5 13/16" L		
	36889-26 160MM C/C 7 1/16" L		
	55510-26 192MM C/C 8 3/8" L		
	36890-26 224MM C/C 9 9/16" L		
	37400-26 256MM C/C 10 7/8" L		
	37401-26 320MM C/C 13 7/16" L		
	54060-26 12" C/C 13 1/8" L APPLIANCE PULL		
	54061-26 18" C/C 19 1/16" L APPLIANCE PULL		



AVAILABLE FINISHES



36837-MB
96MM C/C | 4 9/16" L

36838-MB
128MM C/C | 5 13/16" L

36839-MB
160MM C/C | 7 1/16" L

36840-MB
224MM C/C | 9 5/8" L



36836-MB
2" L | 1 1/16" PROJ

STATUS



AVAILABLE FINISH



1300-ORB
3" C/C | 5 1/4" L

1302-ORB
3" C/C | 4 15/16" L



1307-ORB
1 1/4" DIA | 7/8" PROJ

STERLING TRADITIONS



AVAILABLE FINISHES



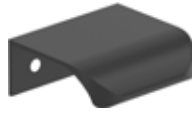
37295-G10
1 3/16" DIA | 7/8" PROJ

SUNSET

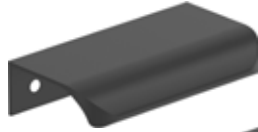


STREAMLINE TAB

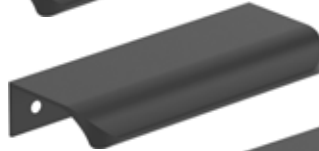
AVAILABLE FINISHES



37200-MB
1" C/C | 1 3/4" L



37201-MB
2 3/16" C/C | 3" L



37202-MB
3 3/16" C/C | 4" L



37203-MB
4 3/16" C/C | 5" L



37204-MB
5 3/16" C/C | 6" L

STREAMLINE II

AVAILABLE FINISHES



37190-G10
1" C/C | 1 3/4" L



37191-G10
2 3/16" C/C | 3" L



37192-G10
3 3/16" C/C | 4" L



37193-G10
4 3/16" C/C | 5" L



37194-G10
5 3/16" C/C | 6" L

AVAILABLE FINISHES



36897-CZ
3" C/C | 3 25/32" L



36894-CZ
3 3/4" C/C | 4 9/16" L



36895-CZ
5 1/16" C/C | 5 13/16" L



36896-CZ
6 5/16" C/C | 7 1/16" L



55520-CZ
7 9/16" C/C | 8 7/16" L



55521-CZ
8 13/16" C/C | 9 11/16" L



55522-CZ
10 1/16" C/C | 11" L



55524-CZ
12 5/8" C/C | 13 1/2" L



55523-CZ
12" C/C | 13 1/4" L
APPLIANCE PULL



55525-CZ
18" C/C | 19 1/4" L
APPLIANCE PULL



36893-CZ
1 1/4" L | 1 3/16" PROJ



THOREAU

AVAILABLE FINISHES



37601-ORB
3" C/C | 5 11/16" L



37602-ORB
3 3/4" C/C | 6 1/2" L



37603-ORB
5 1/16" C/C | 7 3/4" L



37604-ORB
6 5/16" C/C | 9" L



37605-ORB
7 9/16" C/C | 10 1/4" L



37606-ORB
8 13/16" C/C | 11 1/2" L



37607-ORB
10 1/16" C/C | 12 13/16" L



37608-ORB
12 5/8" C/C | 15 5/16" L



37600-ORB
1 9/16" L | 1/8" PROJ



AVAILABLE FINISHES



37522-G10
3 3/4" C/C | 4 3/16" L



37523-G10
5 1/16" C/C | 5 1/2" L



37524-G10
6 5/16" C/C | 6 3/4" L



37525-G10
7 9/16" C/C | 8" L



37526-G10
8 13/16" C/C | 9 1/4" L



37527-G10
10 1/16" C/C | 10 9/16" L



37628-G10
12 5/8" C/C | 13 1/16" L



37529-G10
12" C/C | 12 5/8" L
APPLIANCE PULL



37530-G10
18" C/C | 18 5/8" L
APPLIANCE PULL



37520-G10
1 5/16" L | 1 1/16" PROJ



37521-G10
1 5/8" DIA | 1 1/4" PROJ



TORRANCE



AVAILABLE FINISHES



37335-MB
1 3/16" DIA | 1" PROJ

TRADITIONAL CLASSICS



AVAILABLE FINISHES



55268-CBBZ
1 1/4" DIA | 1 1/2" PROJ

TRANSCENDENT



AVAILABLE FINISHES



741416-MBMG
5/8" C/C | 3 3/16" L



741496-MBMG
3 3/4" C/C | 6 15/16" L



7414128-MBMG
5 1/16" C/C | 8 3/16" L



7414160-MBMG
6 5/16" C/C | 9 7/16" L



7414192-MBMG
7 9/16" C/C | 10 11/16" L



7414256-MBMG
10 1/16" C/C | 13 3/16" L



196732-MBMG
1 1/4" DIA | 7/8" PROJ

TRIOMPHE

AVAILABLE FINISHES



37090-ORB
3" C/C | 4" L

37091-ORB
3 3/4" C/C | 4 13/16" L

37092-ORB
5 1/16" C/C | 6 1/16" L

37093-ORB
6 5/16" C/C | 7 5/16" L



AVAILABLE FINISHES



36917-G10
96MM C/C | 6 5/8" L

36918-G10
128MM C/C | 7 7/8" L

36919-G10
192MM C/C | 10 5/8" L

36920-G10
224MM C/C | 11 15/16" L

UPRISE



URBANITE

AVAILABLE FINISHES



NOTE: 77898, 77822 are available only in 26BMB, BBZMB, BBZWHT, CZMB, CZWHT Finishes. MBMB Finish is available only for 77896, 778256, 778160, 778192

	77898-CZWHT 3" C/C 5 3/4" L	
	77896-CZWHT 3 3/4" C/C 6 1/2" L	67-CZWHT 2 3/4" L 1 3/16" PROJ
	778128-CZWHT 5 1/16" C/C 7 13/16" L	
	778160-CZWHT 6 5/16" C/C 9 1/16" L	
	778192-CZWHT 7 9/16" C/C 10 1/4" L	
	77822-CZWHT 8 13/16" C/C 11 9/16" L	
	778256-CZWHT 10 1/16" C/C 12 3/4" L	
	54090-CZWHT 12" C/C 16 3/4" L APPLIANCE PULL	
	54091-CZWHT 18" C/C 22 13/16" L APPLIANCE PULL	

VAILE

AVAILABLE FINISHES




	37230-G10 76MM C/C 3 15/16" L		37231-G10 128MM C/C 6" L		53014-G10 1 3/8" L 1 1/2" PROJ
	53003-G10 96MM C/C 4 3/4" L		37232-G10 160MM C/C 7 1/4" L		





VERSA


AVAILABLE FINISHES





- 


55530-FB
3" C/C | 4 11/16" L
- 


36912-FB
3 3/4" C/C | 4 11/16" L
- 


36913-FB
5 1/16" C/C | 5 15/16" L
- 


36914-FB
6 5/16" C/C | 7 3/16" L
- 

55531-FB
7 9/16" C/C | 8 1/2" L
- 

36915-FB
8 13/16" C/C | 9 3/4" L
- 

55532-FB
10 1/16" C/C | 11" L
- 

55534-FB
12 5/8" C/C | 13 9/16" L
- 

55533-FB
12" C/C | 13 3/8" L
APPLIANCE PULL
- 

55535-FB
18" C/C | 19 3/8" L
APPLIANCE PULL



36904-FB
1 3/8" DIA | 1" PROJ

AVAILABLE FINISHES



37320-26
1 7/16" DIA | 1 1/16" PROJ

VALOR



VILLE

AVAILABLE FINISHES



36774-26
1 1/8" DIA | 1 1/16" PROJ



36778-26
76MM C/C | 3 7/8" L



36775-26
96MM C/C | 4 5/8" L



36776-26
128MM C/C | 5 7/8" L



36777-26
160MM C/C | 7 1/8" L



WHISTLE

AVAILABLE FINISHES



37026-MB
1 1/16" DIA | 15/16" PROJ



WILLOW

AVAILABLE FINISHES



37309-G10
3" C/C | 4 5/8" L



37310-G10
3 3/4" C/C | 5 7/16" L



37311-G10
5 1/16" C/C | 6 5/8" L



37312-G10
6 5/16" C/C | 7 15/16" L



AVAILABLE FINISHES



53719-BBZ
3" C/C | 4 1/4" L



53720-BBZ
3 3/4" C/C | 5 1/16" L



53721-BBZ
5 1/16" C/C | 6 1/4" L



53722-BBZ
6 5/16" C/C | 7 5/8" L



53723-BBZ
7 9/16" C/C | 8 7/8" L



53724-BBZ
8 13/16" C/C | 10 1/8" L



53725-BBZ
10 1/16" C/C | 11 7/16" L



53726-BBZ
12 5/8" C/C | 14" L



54023-BBZ
12" C/C | 13 7/8" L
APPLIANCE PULL



54024-BBZ
18" C/C | 19 15/16" L
APPLIANCE PULL



53717-BBZ
1 5/16" L | 1 1/16" PROJ



53718-BBZ
1 3/16" DIA | 1 1/8" PROJ



WINSOME

AVAILABLE FINISHES



36765-CZ
1 1/4" DIA | 1 3/16" PROJ



36770-CZ
76MM C/C | 4 1/2" L



36766-CZ
96MM C/C | 5 5/16" L



36767-CZ
128MM C/C | 6 1/2" L



36771-CZ
160MM C/C | 7 13/16" L



36768-CZ
192MM C/C | 9 1/16" L



36769-CZ
224MM C/C | 10 5/16" L



54065-CZ
12" C/C | 14 1/2" L
APPLIANCE PULL



54066-CZ
18" C/C | 20 9/16" L
APPLIANCE PULL



54067-CZ
24" C/C | 26 1/2" L
APPLIANCE PULL



H-Select

COLORADO



K92925-SN
SATIN NICKEL
1 5/16" DIA
1 1/8" PROJ



K92925-BK
MATTE BLACK
1 5/16" DIA
1 1/8" PROJ



K92925-10B
OIL RUBBED BRONZE
1 5/16" DIA
1 1/8" PROJ



K92925-RG
ROSE GOLD
1 5/16" DIA
1 1/8" PROJ



K92925-DP
DARK PEWTER
1 5/16" DIA
1 1/8" PROJ



K92925-PC
POLISHED CHROME
1 5/16" DIA
1 1/8" PROJ



K94723-SN
SATIN NICKEL
1 1/8" DIA
1 1/8" PROJ



K94723-BK
MATTE BLACK
1 1/8" DIA
1 1/8" PROJ



K94723-10B
OIL RUBBED BRONZE
1 1/8" DIA
1 1/8" PROJ



K94723-RG
ROSE GOLD
1 1/8" DIA
1 1/8" PROJ



K94723-DP
DARK PEWTER
1 1/8" DIA
1 1/8" PROJ



K94723-PC
POLISHED CHROME
1 1/8" DIA
1 1/8" PROJ



K92836-SN
SATIN NICKEL
4 5/8" L
96MM C/C



K92836-10B
OIL RUBBED BRONZE
4 5/8" L
96MM C/C



K92836-DP
DARK PEWTER
4 5/8" L
96MM C/C



K92837-SN
SATIN NICKEL
5 7/8" L
128MM C/C



K92837-10B
OIL RUBBED BRONZE
5 7/8" L
128MM C/C



K92837-DP
DARK PEWTER
5 7/8" L
128MM C/C



K92838-SN
SATIN NICKEL
7 1/8" L
160MM C/C



K92838-10B
OIL RUBBED BRONZE
7 1/8" L
160MM C/C



K92838-DP
DARK PEWTER
7 1/8" L
160MM C/C



K92836-BK
MATTE BLACK
4 5/8" L
96MM C/C



K92836-RG
ROSE GOLD
4 5/8" L
96MM C/C



K92836-PC
POLISHED CHROME
4 5/8" L
96MM C/C



K92837-BK
MATTE BLACK
5 7/8" L
128MM C/C



K92837-RG
ROSE GOLD
5 7/8" L
128MM C/C



K92837-PC
POLISHED CHROME
5 7/8" L
128MM C/C



K92838-BK
MATTE BLACK
7 1/8" L
160MM C/C



K92838-RG
ROSE GOLD
7 1/8" L
160MM C/C



K92838-PC
POLISHED CHROME
7 1/8" L
160MM C/C

STOCKPORT



K3219-96-ORB
OIL RUBBED BRONZE
4 5/8" L
96MM C/C



K3219-96-BYAB
BLACK YELLOW ANTIQUE BRASS
4 5/8" L
96MM C/C



K3219-96-BRN
BRUSHED NICKEL
4 5/8" L
96MM C/C



K3219-ORB
OIL RUBBED BRONZE
1 1/16" DIA
1" PROJ



K3219-BYAB
BLACK YELLOW ANTIQUE BRASS
1 1/16" DIA
1" PROJ



K3219-BRN
BRUSHED NICKEL
1 1/16" DIA
1" PROJ

ROWVILLE



K3235-96-BYAB
BLACK YELLOW ANTIQUE BRASS
5 1/8" L
96MM C/C



K3235-128-BYAB
BLACK YELLOW ANTIQUE BRASS
6 3/8" L
128MM C/C



K3235-96-ORB
OIL RUBBED BRONZE
5 1/8" L
96MM C/C



K3235-128-ORB
OIL RUBBED BRONZE
6 3/8" L
128MM C/C



K3235-96-BRN
BRUSHED NICKEL
5 1/8" L
96MM C/C



K3235-128-BRN
BRUSHED NICKEL
6 3/8" L
128MM C/C



K3235-96-BL
BLACK
5 1/8" L
96MM C/C



K3235-128-BL
BLACK
6 3/8" L
128MM C/C

CHEYENNE



K3417-ORB
OIL RUBBED BRONZE
1 1/4" DIA
1" PROJ



K3417-BB
BURNISHED BRASS
1 1/4" DIA
1" PROJ



K3417-WN
WEATHERED NICKEL
1 1/4" DIA
1" PROJ



K3417-GOLD
GOLD
1 1/4" DIA
1" PROJ

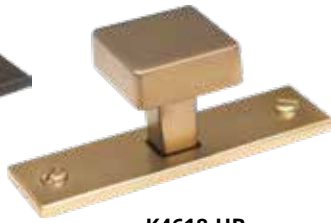
DENALI



K4618-BN
BRUSHED NICKEL
1" DIA
1 3/16" PROJ



K4618-SAB
SABLE
1" DIA
1 3/16" PROJ



K4618-HB
HONEY BRONZED
1" DIA
1 3/16" PROJ



K773-SN
SATIN NICKEL
5 1/4" L
96MM C/C



K773-SAB
SABLE
5 1/4" L
96MM C/C



K773-HB
HONEY BRONZED
5 1/4" L
96MM C/C

INSPIRATION RING



K4118-WN
WEATHERED NICKEL
2" DIA
1 1/2" PROJ



K4118-BB
BURNISHED BRASS
2" DIA
1 1/2" PROJ



K4118-ORB
OIL RUBBED BRONZE
2" DIA
1 1/2" PROJ

H-Select

CLASSIC RING



K4318-BRPW
BRUSHED PEWTER
2" DIA
1" PROJ



K4318-BN
BRUSHED NICKEL
2" DIA
1" PROJ



K4318-AE
ANTIQUÉ ENGLISH
2" DIA
1" PROJ



K4318-ORB
OIL RUBBED BRONZE
2" DIA
1" PROJ

LINCOLN



K4218-BB
BURNISHED BRASS
7/8" DIA
3/4" PROJ



K4218-WN
WEATHERED NICKEL
7/8" DIA
3/4" PROJ



K4218-ORB
OIL RUBBED BRONZE
7/8" DIA
3/4" PROJ

MISC. KNOBS



K2302-AS
ANTIQUÉ SILVER
1 1/2" DIA
1 1/8" PROJ



K4418-BN
BRUSHED NICKEL
3/4" DIA
15/16" PROJ



K3217-DACM
DARK ANTIQUÉ
COPPER MACHINED
1 1/4" DIA
1 1/8" PROJ



K4438-WI
WROUGHT IRON
1 1/2" DIA
1 1/4" PROJ

BOW



K2040-BL
BLACK
1 1/4" DIA
1 1/4" PROJ



K2040-OB
OIL BRONZE
1 1/4" DIA
1 1/4" PROJ



K2040-SN
SATIN NICKEL
1 1/4" DIA
1 1/4" PROJ



K2335-OB
OIL BRONZE
1 1/4" DIA
1" PROJ



K2335-WN
WEATHERED NICKEL
1" DIA
3/4" PROJ



K2029-BL
BLACK
6 1/8" L
128MM C/C



K2029-LAP
LIGHT ANTIQUÉ PEWTER
6 1/8" L
128MM C/C



K2029-OB
OIL BRONZE
6 1/8" L
128MM C/C



K2029-SN
SATIN NICKEL
6 1/8" L
128MM C/C



K2029-ABMD
ANTIQUÉ BRASS MACHINED DULL
6 1/8" L
128MM C/C

AMERICANA



K88
LANCASTER ANTIQUE
1 1/4" DIA
3/4" PROJ



K88-B
PEWTER
1 1/4" DIA
3/4" PROJ



K282-AN
ANTIQUÉ NICKEL
2 1/8" DIA
7/8" PROJ



K330-AN
ANTIQUÉ NICKEL
7/8" DIA
1 1/8" PROJ



K87
LANCASTER ANTIQUE
4 1/8" L
3" C/C



K87-B
PEWTER
4 1/8" L
3" C/C



K87-SN
SATIN NICKEL
4 1/8" L
3" C/C

BELL IRON 1



K117-ABMD
ANTIQUÉ BRASS
MACHINED DULL
1 1/4" DIA
15/16" PROJ



K117-DACM
DARK BRUSHED
COPPER MACHINED
1 1/4" DIA
15/16" PROJ



K527-ABMD
ANTIQUÉ BRASS MACHINED DULL
4 1/2" L
96MM C/C



K117-DBAC
DARK BRUSHED
ANTIQUÉ COPPER
1 1/4" DIA
15/16" PROJ



K117-SIM
PEWTER
1 1/4" DIA
15/16" PROJ



K527-DACM
DARK BRUSHED COPPER MACHINED
4 1/2" L
96MM C/C



K527-DBAC
DARK BRUSHED ANTIQUÉ COPPER
4 1/2" L
96MM C/C



K527-SIM
PEWTER
4 1/2" L
96MM C/C

BELL IRON 2



K6303-RG
ROSE GOLD
1 3/8" DIA
1" PROJ



K6303-ABMD
ANTIQUÉ BRASS
MACHINED DULL
1 3/8" DIA
1" PROJ



K6303-DMAC
DARK MACHINED
ANTIQUÉ COPPER
1 3/8" DIA
1" PROJ



K6373-ABMD
ANTIQUÉ BRASS MACHINED DULL
4 1/2" L • 96MM C/C



K6303-MB
MATTE BLACK
1 3/8" DIA
1" PROJ



K6303-DACM
DARK BRUSHED
COPPER MACHINED
1 3/8" DIA • 1" PROJ



K6303-SIM
PEWTER
1 3/8" DIA
1" PROJ



K6373-DMAC
DARK MACHINED ANTIQUÉ COPPER
4 1/2" L • 96MM C/C



K6373-DACM
DARK BRUSHED COPPER MACHINED
4 1/2" L • 96MM C/C



K6373-RG
ROSE GOLD
4 1/2" L • 96MM C/C



K6373-MB
MATTE BLACK
4 1/2" L • 96MM C/C



K6373-SIM
PEWTER
4 1/2" L • 96MM C/C

H-Select

ADVANTAGE

H-SELECT



K107-AEM
ANTIQUE ENGLISH
1 1/4" DIA
1" PROJ



K107-ASM
ANTIQUE SILVER
MACHINED
1 1/4" DIA
1" PROJ



K107-DBAC
DARK BRUSHED
ANTIQUE COPPER
1 1/4" DIA
1" PROJ



K107-SN
SATIN NICKEL
1 1/4" DIA
1" PROJ



K3898-DBAC
DARK BRUSHED
ANTIQUE COPPER
1 1/8" DIA
1 1/4" PROJ



K3898-DBN
BRIGHT NICKEL
BRUSHED DULL
1 1/8" DIA
1 1/4" PROJ



K3208-DBAC
DARK BRUSHED
ANTIQUE COPPER
4 1/4" L
3" C/C



K3208-SN
SATIN NICKEL
4 1/4" L
3" C/C



K3108-DBAC
DARK BRUSHED
ANTIQUE COPPER
5 1/4" L
3" C/C



K516-ASM
ANTIQUE SILVER
MACHINED
5 1/2" L
3" C/C



K3108-SN
SATIN NICKEL
5 1/4" L
3" C/C



K516-SN
SATIN NICKEL
5 1/2" L
3" C/C



K516-AEM
ANTIQUE ENGLISH
5 1/2" L
3" C/C



K516-DBAC
DARK BRUSHED
ANTIQUE COPPER
5 1/2" L
3" C/C



K3899-DBN
BRIGHT NICKEL
BRUSHED DULL
5 1/4" L
3" C/C



K3899-DBAC
DARK BRUSHED
ANTIQUE COPPER
5 1/4" L
3" C/C

BOUNTIFUL



K6102-ORB
OIL-RUBBED BRONZE
1 1/4" DIA
1 1/8" PROJ



K6102-SN
SATIN NICKEL
1 1/4" DIA
1 1/8" PROJ



K6765-ORB
OIL-RUBBED BRONZE
5" L
3" C/C



K6765-SN
SATIN NICKEL
5" L
3" C/C

H-Select

BASKET WEAVE



K3062-ORB
OIL-RUBBED BRONZE
1 1/4" DIA
1" PROJ



K3062-SN
SATIN NICKEL
1 1/4" DIA
1" PROJ



K3062-SI
PEWTER
1 1/4" DIA
1" PROJ



K3063-ORB
OIL-RUBBED BRONZE
4 3/4" L
3" C/C



K3063-SN
SATIN NICKEL
4 3/4" L
3" C/C



K3063-SI
PEWTER
4 3/4" L
3" C/C

COUNTRY TIME



K6060-DBAC
DARK BRUSHED
ANTIQUÉ COPPER
1 1/4" DIA
1 3/8" PROJ



K6060-DBN
BRIGHT NICKEL
BRUSHED DULL
1 1/4" DIA
1 3/8" PROJ



Z117-DACM
DARK BRUSHED
COPPER MACHINED
1 1/4" DIA
1" PROJ



Z117-DBN
BRIGHT NICKEL
BRUSHED DULL
1 1/4" DIA
1" PROJ



Z117-SIM
PEWTER
1 1/4" DIA
1" PROJ



K260-DBAC
DARK BRUSHED ANTIQUÉ COPPER
3 3/4" L
3" C/C



K260-DBN
BRIGHT NICKEL BRUSHED DULL
3 3/4" L
3" C/C

HARVEST



K6464-DBAC
DARK BRUSHED
ANTIQUÉ COPPER
1 1/4" DIA
1 1/8" PROJ



K6464-SN
SATIN NICKEL
1 1/4" DIA
1 1/8" PROJ



K6465-DBAC
DARK BRUSHED ANTIQUÉ
COPPER
5 5/8" L
3" C/C



K6465-SN
SATIN NICKEL
5 5/8" L
3" C/C

FLAIR



K196-ACM
ANTIQUE COPPER MACHINED
2 1/4" L
1 1/4" C/C



K196-DBAC
DARK BRUSHED ANTIQUE COPPER
2 1/4" L
1 1/4" C/C



K195-ACM
ANTIQUE COPPER MACHINED
4 7/8" L
96MM C/C



K195-DBAC
DARK BRUSHED ANTIQUE COPPER
4 7/8" L
96MM C/C

H-SELECT

DELGADO



K519-ABSB
ANTIQUE BRUSHED
SATIN BRASS
1 1/2" L
1 1/4" PROJ



K519-DBAC
DARK BRUSHED
ANTIQUÉ COPPER
1 1/2" L
1 1/4" PROJ



K519-DBN
BRIGHT NICKEL
BRUSHED DULL
1 1/2" L
1 1/4" PROJ



K519-96ABSB
ANTIQUE BRUSHED SATIN BRASS
4 1/4" L
96MM C/C



K519-96DBAC
DARK BRUSHED ANTIQUÉ COPPER
4 1/4" L
96MM C/C



K519-96DBN
BRIGHT NICKEL BRUSHED DULL
4 1/4" L
96MM C/C

ROCHESTER



K155-ABSB
ANTIQUE BRUSHED
SATIN BRASS
1 1/8" DIA
15/16" PROJ



K155-DBAC
DARK BRUSHED
ANTIQUÉ COPPER
1 1/8" DIA
15/16" PROJ



K155-DBN
BRIGHT NICKEL
BRUSHED DULL
1 1/8" DIA
15/16" PROJ



K155-SN
SATIN NICKEL
1 1/8" DIA
15/16" PROJ



K155-96ABSB
ANTIQUE BRUSHED SATIN BRASS
4 1/4" L
96MM C/C



K155-96DBAC
DARK BRUSHED ANTIQUÉ
COPPER
4 1/4" L 96MM C/C



K155-96DBN
BRIGHT NICKEL BRUSHED
DULL
4 1/4" L
96MM C/C



K155-96SN
SATIN NICKEL
4 1/4" L 96MM C/C

H-Select

BALANCE



K2980-AB
ANTIQUE ENGLISH
1 1/4" DIA
1 1/8" PROJ



K2980-DACM
DARK BRUSHED
COPPER MACHINED
1 1/4" DIA
1 1/8" PROJ



K2980-SN
SATIN NICKEL
1 1/4" DIA
1 1/8" PROJ



K2980-DBAC
DARK BRUSHED
ANTIQUE COPPER
1 1/4" DIA
1 1/8" PROJ



K2980-ORB
OIL-RUBBED
BRONZE
1 1/4" DIA
1 1/8" PROJ



K2981-AB
ANTIQUE ENGLISH
3 3/4" L
3" C/C



K2981-DACM
DARK BRUSHED COPPER MACHINED
3 3/4" L
3" C/C



K2981-DBAC
DARK BRUSHED ANTIQUE COPPER
3 3/4" L
3" C/C



K2981-SN
SATIN NICKEL
3 3/4" L
3" C/C



K2981-ORB
OIL-RUBBED BRONZE
3 3/4" L
3" C/C

CLARK

ZINC DIE CAST



K801-B
PEWTER
1 1/8" DIA
1 1/8" PROJ



K800-SN
SATIN NICKEL
1 1/8" DIA
1 1/8" PROJ



K802-AE
ANTIQUE ENGLISH
1 1/8" DIA
1 1/8" PROJ



K803-BI
BLACK IRON
1 1/8" DIA
1 1/8" PROJ



K810-MB
MATTE BLACK
1 1/8" DIA
1 1/8" PROJ



K804-B
PEWTER
3 3/4" L
3" C/C



K805-SN
SATIN NICKEL
3 3/4" L
3" C/C



K806-AE
ANTIQUE ENGLISH
3 3/4" L
3" C/C



K807-BI
BLACK IRON
3 3/4" L
3" C/C



K811-MB
MATTE BLACK
3 3/4" L
3" C/C

BAR PULLS

H-SELECT



K1001
BRUSHED NICKEL 1 9/16" L
1 3/8" PROJ



K1000
BRUSHED NICKEL
4 1/2" L
76MM C/C



K1002
BRUSHED NICKEL
5 5/16" L
96MM C/C



K1003
BRUSHED NICKEL
6 5/8" L
128MM C/C



K1004
BRUSHED NICKEL
7 7/8" L
160MM C/C



K1005
BRUSHED NICKEL
9 1/8" L
192MM C/C



K1006
BRUSHED NICKEL
10 3/8" L
224MM C/C



K1007
BRUSHED NICKEL
11 5/8" L
256MM C/C



K1008
BRUSHED NICKEL
12 7/8" L
288MM C/C



K1009
BRUSHED NICKEL
14 3/16" L
320MM C/C



K1010
BRUSHED NICKEL
15 7/16" L
352MM C/C

H-Select

SLEEK & MODERN



K1216-SN
SATIN NICKEL
7/8" DIA
1" PROJ



K26-SN
SATIN NICKEL
1" DIA
15/16" PROJ



K8026-SN
SATIN NICKEL
1 3/4" L
3/4" PROJ



K515-SN
SATIN NICKEL
1 1/8" DIA
1" PROJ



D2753-SN
SATIN NICKEL
1 5/16" L
1 1/8" PROJ



K790-SN
SATIN NICKEL
1" DIA
1" PROJ



Z259-BL
BLACK
3 3/8" L
3" C/C



Z259-SN
SATIN NICKEL
3 3/8" L
3" C/C



K400-SN
SATIN NICKEL
4" L
3" C/C



K475-SN
SATIN NICKEL
4 3/4" L
96MM C/C



K3489-SN
SATIN NICKEL
4 1/2" L
3" C/C



K3489-MB
MATTE BLACK
4 1/2" L
3" C/C



K272-BL
BLACK
4 5/8" L
96MM C/C



K4690-SN
SATIN NICKEL
4 3/4" L
96MM C/C



K272-SN
SATIN NICKEL
4 5/8" L
96MM C/C



K2017-SN
SATIN NICKEL
5" L
96MM C/C



K961-DSN
SATIN NICKEL
4 3/4" L
3" CC



K2017-BL
BLACK
5" L
96MM C/C



K4655-SN
SATIN NICKEL
6 1/4" L
5" C/C



K4655-BLK
BLACK
6 1/4" L
5" C/C



K4655-AB
ANTIQUE ENGLISH
6 1/4" L
5" C/C



K5319-SN
SATIN NICKEL
14 1/8" L
12 1/2" C/C

H-Select

GLENDALE



K525-DBAC
DARK BRUSHED ANTIQUE
COPPER
1 1/16" SQ
1" PROJ



K525-DMAC
DARK MACHINED ANTIQUE
COPPER
1 1/16" SQ
1" PROJ



K525-SN
SATIN NICKEL
1 1/16" SQ
1" PROJ



K525-96DBAC
DARK BRUSHED
ANTIQUÉ COPPER
5" L
96MM C/C



K525-96DMAC
DARK MACHINED
ANTIQUÉ COPPER
5" L
96MM C/C



K525-96SN
SATIN NICKEL
5" L
96MM C/C

H-SELECT

KINGSPORT



K150-LP
LANCASTER ANTIQUE
2 7/8" X 4 1/4"
3" C/C

WHEAT



DRAWER BAIL PULL
K200-LP
LANCASTER ANTIQUE
2 5/8" X 4 1/2"
3" C/C



KNOB
K204-LP
LANCASTER ANTIQUE
1 1/4" DIA
1 1/4" PROJ



BAR HANDLE
K205-LP
LANCASTER ANTIQUE
4 1/4" L
3" C/C

OLD ENGLISH



K152-AE
ANTIQUÉ ENGLISH
4 3/4" L
3" C/C



K706-AE
ANTIQUÉ ENGLISH
4 7/8" L
3" C/C



K707-AE
ANTIQUÉ ENGLISH
4 1/4" L
2 1/2" C/C

LAFAYETTE



K417-ABSB
ANTIQUE BRUSHED SATIN BRASS
1 3/8" DIA
1 1/4" PROJ



K417-DBAC
DARK BRUSHED ANTIQUE COPPER
1 3/8" DIA
1 1/4" PROJ



K417-DBN
BRIGHT NICKEL BRUSHED DULL
1 3/8" DIA
1 1/4" PROJ



K517-ABSB
ANTIQUE BRUSHED SATIN BRASS
1 3/8" DIA
1 1/4" PROJ



K517-DBAC
DARK BRUSHED ANTIQUE COPPER
1 3/8" DIA
1 1/4" PROJ



K517-DBN
BRIGHT NICKEL BRUSHED DULL
1 3/8" DIA
1 1/4" PROJ



K317-96ABSB
ANTIQUE BRUSHED SATIN BRASS
4 3/8" L
96MM C/C



K317-96DBAC
DARK BRUSHED ANTIQUE COPPER
4 3/8" L
96MM C/C



K317-96DBN
BRIGHT NICKEL BRUSHED DULL
4 3/8" L
96MM C/C

RICHELIEU



KNOB
K147-AE
ANDOVER ANTIQUE
1 3/8" L
1 1/8" PROJ



BACKPLATE
K105-AE
ANDOVER ANTIQUE
1" X 4 1/8"

ANTIQUE ENGLISH



A76209-AE
ANTIQUE ENGLISH
1 1/8" DIA
1" PROJ



D89-AE
ANTIQUE ENGLISH
3/4" DIA
5/8" PROJ



D89-BL
BLACK
3/4" DIA
5/8" PROJ



K208-AE
ANTIQUE ENGLISH
1 1/8" DIA
3/4" PROJ



K157-AE
ANTIQUE ENGLISH
4 3/4" L
3" C/C



K703-AE
ANTIQUE ENGLISH
5 1/2" L



K763-AE
ANTIQUE ENGLISH
5 3/8" L
3" C/C



K3208-AE
ANTIQUE ENGLISH
4 1/4" L
3" C/C



K156-AE
ANTIQUE ENGLISH
4 1/2" L
3" C/C

H-Select

CHIPPENDALE

H-SELECT



K1461-AE
SOLID BRASS WITH ANTIQUE
ENGLISH FINISH
2 1/4" X 3 3/16"
2" C/C



K1461-PB
SOLID BRASS WITH POLISHED
BRASS FINISH
2 1/4" X 3 3/16"
2" C/C



K1462-AE
SOLID BRASS WITH ANTIQUE
ENGLISH FINISH
2 3/4" X 3 3/4"
2 1/2" C/C



K1462-PB
SOLID BRASS WITH POLISHED
BRASS FINISH
2 3/4" X 3 3/4"
2 1/2" C/C



K1464-AE
SOLID BRASS WITH ANTIQUE
ENGLISH FINISH
2 1/4" X 3 1/8"



K1463-AE
SOLID BRASS WITH ANTIQUE
ENGLISH FINISH
3 3/8" X 4 1/2"
3" C/C



K1463-PB
SOLID BRASS WITH POLISHED
BRASS FINISH
3 3/8" X 4 1/2"
3" C/C

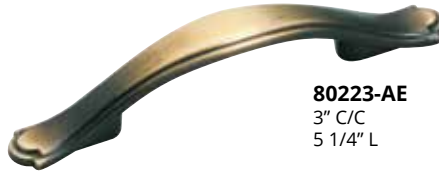


K1464-PB
SOLID BRASS WITH POLISHED
BRASS FINISH
2 1/4" X 3 1/8"

NEW IMPORTS ANTIQUE ENGLISH



80176-AE
PULL
80177-AE
BACKPLATE
3" C/C
4 1/4" L



80223-AE
3" C/C
5 1/4" L



80859-AE
ANTIQUE ENGLISH
5" L
3" C/C



80644-AE
3" C/C
5" L

STICKLEY MISSION II

ZINC DIE CAST



D924-AC
ANTIQUE COPPER
3 3/4" X 1"
3" C/C



D924-AE
ANTIQUE ENGLISH
3 3/4" X 1"
3" C/C



D924-BL
BLACK
3 3/4" X 1"
3" C/C



D925-AC
ANTIQUE COPPER
1 5/8" X 3 1/2"
3" C/C



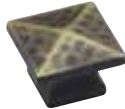
D925-AE
ANTIQUE ENGLISH
1 5/8" X 3 1/2"
3" C/C



D925-BL
BLACK
1 5/8" X 3 1/2"
3" C/C



D942-AC
ANTIQUE COPPER
1 1/4" SQ
7/8" PROJ



D942-AE
ANTIQUE ENGLISH
1 1/4" SQ
7/8" PROJ



D942-BL
BLACK
1 1/4" SQ
7/8" PROJ

PERIOD MISSION



D552-AC
ANTIQUE COPPER
4 1/2" X 1 1/4"
3" C/C



D552-BL
BLACK
4 1/2" X 1 1/4"
3" C/C



D552-ORB
OIL-RUBBED BRONZE
4 1/2" X 1 1/4"
3" C/C



D553-AC
ANTIQUE COPPER
1 1/4" X 4 1/2"
3" C/C



D553-BL
BLACK
1 1/4" X 4 1/2"
3" C/C



D553-ORB
OIL-RUBBED BRONZE
1 1/4" X 4 1/2"
3" C/C

TRADITIONAL MISSION

HEAVY DUTY BAILS



D527-A
BLACK
3 3/4" X 1"
2 1/4" C/C



D527-AE
ANTIQUE ENGLISH
3 3/4" X 1"
2 1/4" C/C



D527-B
PEWTER
3 3/4" X 1"
2 1/4" C/C



D528-A
BLACK
1 3/4" X 2 3/4"
1 1/8" C/C



D528-AE
ANTIQUE ENGLISH
1 3/4" X 2 3/4"
1 1/8" C/C



D528-B
PEWTER
1 3/4" X 2 3/4"
1 1/8" C/C



D529-A
BLACK
2" X 3 3/4"
3" C/C



D529-AE
ANTIQUE ENGLISH
2" X 3 3/4"
3" C/C



D529-B
PEWTER
2" X 3 3/4"
3" C/C

H-SELECT

REFINED MISSION



D523-BL
BLACK
1 1/8" DIA
1" PROJ



D521-BL
BLACK
4 1/16" L
3" C/C



D523-SN
SATIN NICKEL
1 1/8" DIA
1" PROJ



D521-SN
SATIN NICKEL
4 1/16" L
3" C/C



D523-W
WROUGHT IRON
1 1/8" DIA
1" PROJ



D521-W
WROUGHT IRON
4 1/16" L
3" C/C



HH4424-BL
BLACK
4" L
3" C/C



HH4425-BL
BLACK
1 1/4" DIA
1 1/8" PROJ



HH4424-ORB
BLACK
4" L
3" C/C



HH4425-ORB
BLACK
1 1/4" DIA
1 1/8" PROJ



HH4424-WI
BLACK
4" L
3" C/C



HH4425-WI
BLACK
1 1/4" DIA
1 1/8" PROJ



HH4424-SN
BLACK
4" L
3" C/C



HH4425-SN
BLACK
1 1/4" DIA
1 1/8" PROJ

STICKLEY MISSION I

SOLID BRASS
PYRAMID HEAD SCREW (INCLUDED)



D526
BRASS
3 3/4" X 1 1/4"



D526-BL
BLACK IRON
3 3/4" X 1 1/4"



D526-AE
ANTIQUE ENGLISH
3 3/4" X 1 1/4"



D525
BRASS
1 1/2" X 3 1/8"



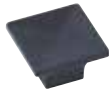
D525-BL
BLACK IRON
1 1/2" X 3 1/8"



D525-AE
ANTIQUE ENGLISH
1 1/2" X 3 1/8"



D542-AC
ANTIQUE COPPER
1 3/16" SQ
7/8" PROJ



D522-BL
BLACK
1 1/4" SQ
7/8" PROJ



D524-BI
BLACK CAST IRON
1 1/8" SQ
7/8" PROJ

HAMMERED MISSION



D550
ANTIQUE COPPER
1 3/4" X 3 1/2"
3" C/C



D550-A
BLACK
1 3/4" X 3 1/2"
3" C/C



D550-B
PEWTER
1 3/4" X 3 1/2"
3" C/C



D551
ANTIQUE COPPER
3 1/2" X 1 3/4"



D551-B
PEWTER
3 1/2" X 1 3/4"

ELEGANT ART



D560-AP
ANTIQUE PEWTER
1 1/4" X 3 3/4"
2 1/8" C/C



D561-AP
ANTIQUE PEWTER
3 3/4" X 1 1/4"

LIBERTY MISSION



K8005
BLACK IRON
1 1/2" X 4 7/8"
4 1/4" C/C



K8006
BLACK IRON
4 7/8" X 1 1/2"
4 1/4" C/C

BIRDCAGE



K1350-DACM
DARK BRUSHED
COPPER MACHINED
2 1/4" L
1 3/8" PROJ



K1350-SIM
PEWTER
2 1/4" L
1 3/8" PROJ



K1300-DACM
DARK BRUSHED
COPPER MACHINED
3 1/2" L
3" C/C



K1300-SIM
PEWTER
3 1/2" L
3" C/C

IRON FORGE



K58-BL
MATTE BLACK
1 1/2" L
1 1/4" PROJ



K558-BL
MATTE BLACK
6" L
96MM C/C



K58-SI
SWEDISH IRON
1 1/2" L
1 1/4" PROJ



K558-SI
SWEDISH IRON
6" L
96MM C/C



K462-BL
MATTE BLACK
4 5/8" L
96MM C/C



K462-SIM
PEWTER
4 5/8" L
96MM C/C

OLD WORLD



K530-W
WINDOVER ANTIQUE
1 3/4" X 1 1/4"
1 1/4" PROJ



K089-W
WROUGHT IRON
4 3/4" L
3 5/8" C/C



K570-W
WROUGHT IRON
1" DIA
3/4" PROJ



K3248-W
WROUGHT IRON
1" DIA
7/8" PROJ



K1814-W
WROUGHT IRON
3/4" DIA
3/4" PROJ



K3222-W
WROUGHT IRON
1 7/8" X 1 7/16"
5/8" PROJ

RUSTIC



K3272-DACM
DARK BRUSHED
COPPER MACHINED
1 3/16" L
1 1/4" PROJ



K3031-DACM
DARK BRUSHED COPPER MACHINED
2" DIA
1 1/8" PROJ



K3273-DACM
DARK BRUSHED
COPPER MACHINED
4 1/2" L
96MM C/C



K4240-96-BL
BLACK
4 1/2" L
96MM C/C



K4240-128-BL
BLACK
5 3/4" L
128MM C/C



BHIM8900-5-BL
BLACK
6 1/4" L
5" C/C



BHIM8900-12-BL
BLACK
13" L
11 15/16" C/C

TRANQUIL



K5302-AB
ANTIQUÉ BRASS/ WHITE
1 1/4" DIA
1" PROJ



K5302-AB-O
ANTIQUÉ BRASS/ OAK
1 1/4" DIA
1" PROJ



K5302-PB
POLISHED BRASS/ WHITE
1 1/4" DIA
1" PROJ



K5302-PB-O
POLISHED BRASS/ OAK
1 1/4" DIA
1" PROJ



P226
OATMEAL
1 1/4" DIA
7/8" PROJ



P220
WHITE
1" DIA
1" PROJ



P225
WHITE
1 1/4" DIA
7/8" PROJ



K5312-AB
ANTIQUÉ BRASS/ WHITE
5" L
3" C/C



K5312-PB
POLISHED BRASS/ WHITE
5" L
3" C/C



K5312-AB-O
ANTIQUÉ BRASS/ OAK
5" L
3" C/C



K5312-PB-O
POLISHED BRASS/ OAK
5" L
3" C/C

H-Select

PALISADE



K3211-PB
BRASS PLATED
4 7/8" L
3" C/C



K3211-SN
SATIN NICKEL
4 7/8" L
3" C/C



K2910-SN
SATIN NICKEL
4 7/8" L
3" C/C



K235
BRASS PLATED
4 7/8" L
3" C/C



6184-SN
SATIN NICKEL
4 7/8" L
3" C/C



6184-PB
BRASS PLATED
4 7/8" L
3" C/C

H-SELECT

WILLOW



K329-LP
LANCASTER ANTIQUE
3" X 4"
3" C/C



K8018-LP
LANCASTER ANTIQUE
1 7/8" X 1 1/2"



K321-LP
LANCASTER ANTIQUE
1 1/8" L
1" PROJ



BACKPLATE
K326-LP
LANCASTER ANTIQUE
1" X 5 1/2"

SOLID BRASS



K6641-SN
SATIN NICKEL
3/4" DIA
3/4" PROJ



K6640
POLISHED BRASS
5/8" DIA
5/8" PROJ



K6641
POLISHED BRASS
3/4" DIA
3/4" PROJ



K6641-A
BLACK
3/4" DIA
3/4" PROJ



MOCK KEY
K1884
POLISHED BRASS
1 1/8" L
1" PROJ



K1908
POLISHED BRASS
4" X 4"
3" C/C



K15
POLISHED BRASS
4" L
3" C/C



K38
POLISHED BRASS
3/4" X 5 1/4"



BACKPLATE
K39
POLISHED BRASS
7/8" X 6 3/4"

MOCK KEY
K1884
POLISHED BRASS
1 1/8" L
1" PROJ

- COMES WITH INSERTS
- END GRAIN



KR15-OAK
OAK
KR15-C
CHERRY
KR15-M
MAPLE
KR15-W
WALNUT
1 1/16" DIA
1 1/16" PROJ



KR15-BL
BLACK PAINT
1 1/16" DIA
1 1/16" PROJ

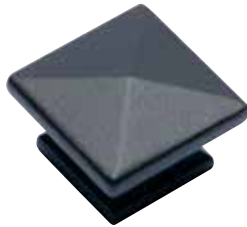
ORDER SCREWS SEPARATELY

MISSION

- COMES WITH INSERTS
- USE 8/32 BOLTS



K49-D
OAK
1 3/4" SQ



K49-B
OAK
1 1/4" SQ
K49-BC
CHERRY
1 1/4" SQ
K52-B
WALNUT
1 1/4" SQ
K53-BL
BLACK
1 1/4" SQ

ORDER SCREWS SEPARATELY

PREMIUM MISSION

- COMES WITH INSERTS
- USE 8/32 BOLTS



K50-B
OAK
1 1/4" SQ
K51-B
CHERRY
1 1/4" SQ
K54-B
MAPLE
1 1/4" SQ



K50-C
OAK
1 1/2" SQ
K51-C
CHERRY
1 1/2" SQ
K54-C
MAPLE
1 1/2" SQ



K49-H
OAK
3" C/C

WOOD KNOBS I

- COMES WITH INSERTS
- FACE GRAIN
- USE 8/32 BOLTS



K40-A
OAK
1" DIA

K45-A
CHERRY
1" DIA

K41-A
BEECH
1" DIA

K46-A
WALNUT
1" DIA



K40-B
OAK
1 1/4" DIA

K41-B
BEECH
1 1/4" DIA

K44-B
HICKORY
1 1/4" DIA

K45-B
CHERRY
1 1/4" DIA

K46-B
WALNUT
1 1/4" DIA

K55-B
MAPLE
1 1/4" DIA

K56-B
QTR. SAWN W. OAK
1 1/4" DIA

K57-B
GRAY ELM
1 1/4" DIA



K40-C
OAK
1 1/2" DIA

K41-C
BEECH
1 1/2" DIA

K45-C
CHERRY
1 1/2" DIA

K46-C
WALNUT
1 1/2" DIA

K55-C
MAPLE
1 1/2" DIA

K56-C
QTR. SAWN W. OAK
1 1/2" DIA

ORDER SCREWS SEPARATELY

H-SELECT

WOOD KNOBS II

- COMES WITH INSERTS
- FACE GRAIN



OVAL SHAPED WOOD KNOB

K114-M
MAPLE
1 7/8" X 1 1/2"
1 1/16" PROJ

K114-O
OAK
1 7/8" X 1 1/2"
1 1/16" PROJ

ORDER SCREWS SEPARATELY

WOOD KNOBS IV



K4275
OAK
1 3/8" DIA

K4375
WALNUT
1 3/8" DIA



K4277
OAK
1 3/4" DIA

K4377
WALNUT
1 3/4" DIA



K4278
OAK
2" DIA

K4378
WALNUT
2" DIA

ORDER SCREWS SEPARATELY



BBW1
OAK
5 1/2" C/C, 7" W X 1 3/8" H



BBW8
OAK
3 3/4" C/C, 4 1/2" W X 7/8" H



BBW2
OAK
3 1/2" C/C, 5" W X 1 3/8" H



BBW9
OAK
3 3/4" C/C, 4 1/4" W X 1 3/4" H
BBW9-A
CHERRY
3 3/4" C/C, 4 1/4" W X 1 3/4" H

ORDER SCREWS SEPARATELY



BBW4
OAK
5 1/2" C/C, 7" W X 1 3/8" H



BBW12
OAK
3" C/C, 5 1/2" W



BBW5
OAK
3 3/4" C/C, 5" W X 1 3/8" H



BBW15
OAK
5" C/C, 7 1/4" W

BBW5-A
CHERRY
3 3/4" C/C, 5" W X 1 3/8" H

Charleston

AVAILABLE FINISHES



P90396-10B
96MM CC
4 1/2" Long



K92230-10B
Square Knob
1 1/10" Long



K92430-10B
Square Knob
1 1/2" Long

Charlotte

AVAILABLE FINISHES



P81092-BK
96MM CC
4 5/8" Long



P82092-BK
128MM CC
5 1/2" Long



P83092-BK
160MM CC
6 3/4" Long



PA5208-BK
8" CC
8 1/2" Long



PA5212-BK
12" CC
12 5/8" Long



K81091-BK
Square Knob
1" Long

Note: P82092 and P83092 are available only in SN, RG, PC, BK, or 10B Finishes. PA5208 and PA5212 are available only in BK, RG, or SN Finishes.

Florence

AVAILABLE FINISHES



P95096-RG
96MM CC
5 1/4" Long



P95128-RG
128MM CC
6 1/2" Long



P95160-RG
160MM CC
7 1/2" Long



K93002-RG
Square Knob
1 1/2" Long

Madison

AVAILABLE FINISHES



BK 10B DP RG SN PC



P93096-DP
96MM CC
4 1/2" Long

P93128-DP
128MM CC
6" Long

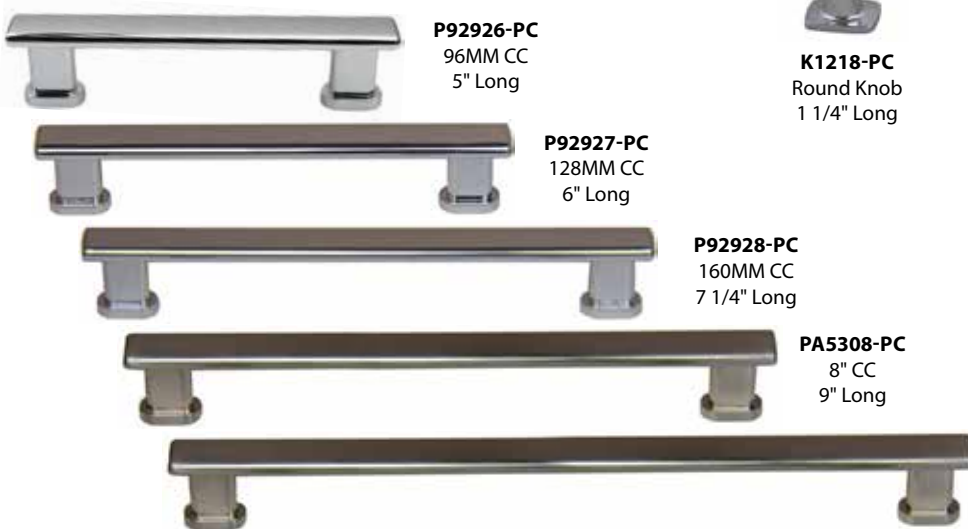
P93160-DP
160MM CC
7 1/4" Long

Manhattan

AVAILABLE FINISHES



BK 10B DP RG SN PC



P92926-PC
96MM CC
5" Long

P92927-PC
128MM CC
6" Long

P92928-PC
160MM CC
7 1/4" Long

PA5308-PC
8" CC
9" Long

PA53012-PC
12" CC
13 1/2" Long



K1218-PC
Round Knob
1 1/4" Long

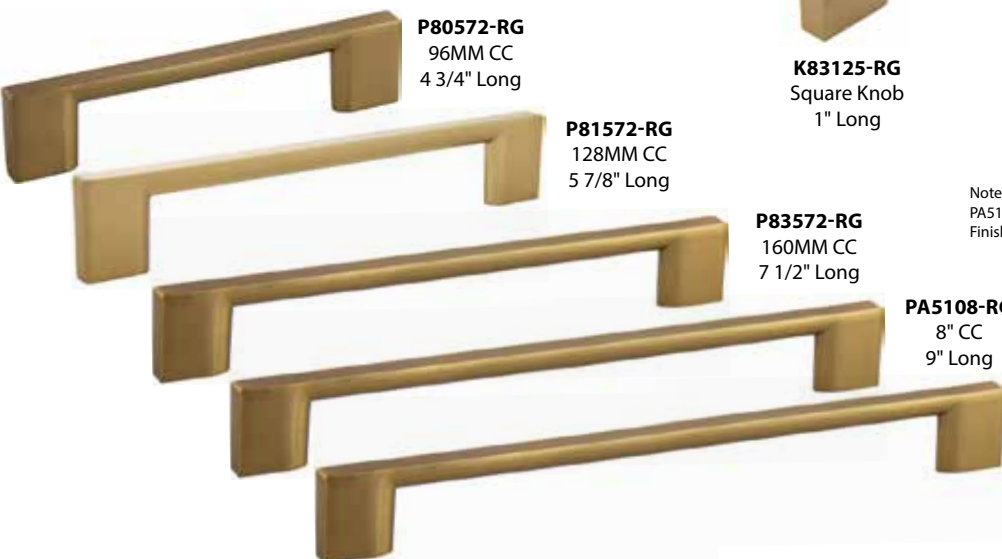
Note: PA5308 and PA53012 are available only in BK, RG, or SN Finishes.

Miami

AVAILABLE FINISHES



BK 10B DP RG SN PC



P80572-RG
96MM CC
4 3/4" Long

P81572-RG
128MM CC
5 7/8" Long

P83572-RG
160MM CC
7 1/2" Long

PA5108-RG
8" CC
9" Long

PA51012-RG
12" CC
13 3/4" Long



K83125-RG
Square Knob
1" Long

Note: P81572 and P83572 are not available in 10B Finish. PA5108 and PA51012 are available only in BK, RG, or SN Finishes.

Milan

AVAILABLE FINISHES



BK 10B DP RG SN PC

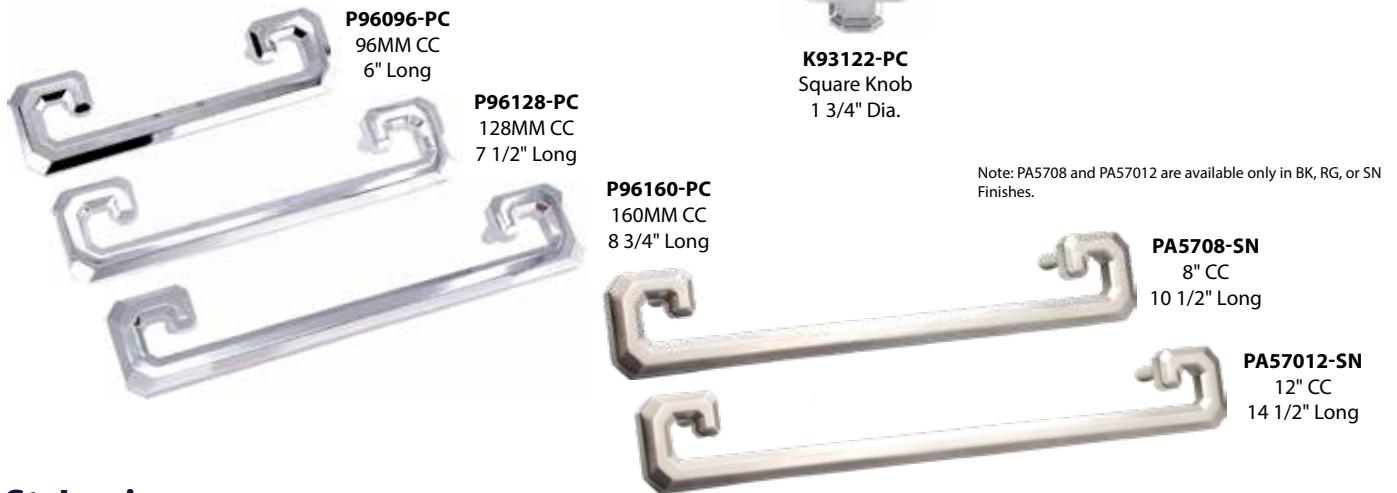


Monaco

AVAILABLE FINISHES



BK 10B DP RG SN PC



St. Louis

AVAILABLE FINISHES



BK 10B RG SN PC



Vail

AVAILABLE FINISHES



BK 10B DP RG SN PC



P86373-DP
96MM CC
4 1/2" Long

P86374-DP
128MM CC
5 3/4" Long

P86375-DP
160MM CC
7" Long

Note: PA5508 and PA55012 are available only in BK, RG, or SN Finishes.



PA5508-RG
8" CC
8 7/8" Long

PA55012-RG
12" CC
13 1/8" Long

Valencia

AVAILABLE FINISHES



BK 10B DP RG SN PC



P97096-SN
96MM CC
4 1/2" Long



K95003-SN
Square Knob
1" Long



P97128-SN
128MM CC
6" Long



P97160-SN
160MM CC
7 1/4" Long

Washington

AVAILABLE FINISHES



10B RG SN



P91296-10B
96MM CC
5 1/4" Long



P91297-10B
128MM CC
6" Long



P91298-10B
160MM CC
7 3/4" Long

Arch Pulls

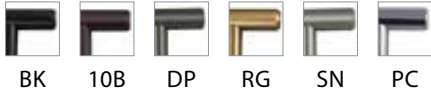


Bar Pulls



Bar Pulls

AVAILABLE FINISHES



P104-PC
64MM CC
4 17/32" Long



K102-PC
Knob
2" Long



P106-PC
3" CC
6" Long



P1096-PC
96MM CC
6" Long



P107-SN
128MM CC
7" Long



P108-PC
5" CC
8" Long



P109-SN
192MM CC
9" Long

Note: K102 and P112 are available only in 10B, BK, PC, RG, or SN Finishes. P104 is available only in BK, PC, RG, or SN Finishes. P1096 is also available in PB, SB, or SS Finishes. P114 is available only in BK, RG, or SN Finishes. P116 is available only in 10B, RG, or SN Finishes. P120 and P124 are available only in 10B or SN Finishes. P107, P109, P118, P122, P126, P128, and P130 are available only in SN Finish.



P110-PC
7" CC
10" Long



P112-PC
9" CC
12" Long



P114-SN
11" CC
14" Long

P116-SN
13" CC
16" Long

P120-SN
15" CC
18" Long

P124-SN
21" CC
24" Long

P128-SN
25" CC
28" Long

P118-SN
15" CC
18" Long

P122-SN
19" CC
22" Long

P126-SN
23" CC
26" Long

P130-SN
27" CC
30" Long

Bar Pulls - Stainless Steel



P105-SS
3" CC
5 1/2" Long



P1096-SS
96MM CC
6" Long



P1096H-BK
96MM CC
6" Long



P1096H-SS
96MM CC
6" Long



P1068H-SS
128MM CC
6 3/4" Long



P107-SS
128MM CC
7 7/16" Long



P108H-SS
128MM CC
8" Long



P109-SS
192MM CC
9 7/8" Long



K102-SS
Knob
2" Long

P113-SS
256MM CC
13 1/4" Long

P119-SS
416MM CC
19 1/2" Long

P124-SS
21" CC
24" Long

P133-SS
768MM CC
33 1/4" Long

P115-SS
320MM CC
15 3/4" Long

P122-SS
19" CC
22" Long

P128-SS
25" CC
28" Long

Bar Pulls - Unique



P81837-DN
128MM CC
6 1/2" Long



P0136-BK
3" CC
5 1/2" Long



P0146-SN
96MM CC
5 3/4" Long

P0178-SN
128MM CC
7" Long



P242-SN
192MM CC
9 1/2" Long

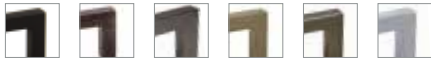


P370-SN
370MM CC
14.5" Long

Note: P0136 is also available in SN Finish.

Square Pulls

AVAILABLE FINISHES



BK 10B DP RG SN PC



P87226-DP
96MM CC
4 1/4" Long



P87227-DP
128MM CC
5 1/2" Long



P87228-DP
160MM CC
6.67" Long



P87229-DP
192MM CC
8" Long



P87300-10B
224MM CC
9" Long



P87140-SN
280MM CC
11 3/8" Long

P87328-SN
320MM CC
13" Long

Note: P87300 is available only in 10B, MB, or SN Finishes.
P97140, P87328, and P90196 are available only in SN Finish.

Modern

AVAILABLE FINISHES



BK 10B SN PC



P81456-10B
96MM CC
4" Long



P81458-10B
128MM CC
5 1/2" Long



P21768-10B
128MM CC
5 3/4" Long



P82234-10B
96MM CC
4" Long



P82034-10B
128MM CC
5 1/2" Long



P81235-10B
160MM CC
6 3/4" Long



P82103-10B
96MM CC
5 1/2" Long



P82104-10B
128MM CC
6 3/4" Long



P82106-SN
160MM CC
8" Long



P87215-10B
96MM CC
4 1/4" Long



P87216-10B
128MM CC
5 1/2" Long



P87218-10B
160MM CC
6 3/4" Long



P81541-10B
96MM CC
4 3/4" Long

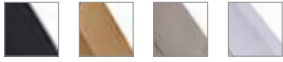


P81542-10B
128MM CC
5 1/2" Long

Note: P21768 is not available in BK Finish. P81541 is not available in BK Finish. P81542 is not available in BK or SN Finishes.

Tab Pulls

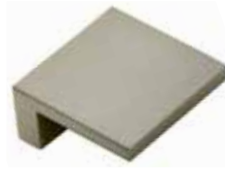
AVAILABLE FINISHES



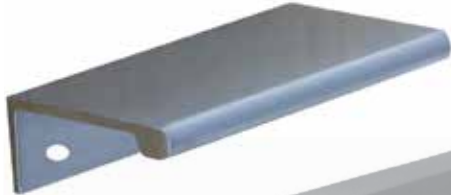
BK SG SN PC



P80014-SN
33MM CC
2" Long



K1667
Bar Knob
1 3/4" Long

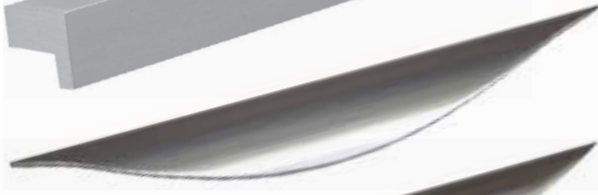


P1876-SN
60MM CC
3" Long

Note: P1876 is not available in SG Finish.



P80215-SN
96MM CC
5 3/4" Long



P80846-SN
96MM CC
6 3/4" Long



P80846-128-SN
128MM CC
6 3/4" Long



P1803-SN
46MM CC
3" Long



P1806-SN
112MM CC
6" Long



P1809-SN
189MM CC
9" Long



P1812-SN
132MM CC (x2)
12" Long

Traditional

AVAILABLE FINISHES



DACM 10B APH ABSB RG SN



P86718-ABSB
128MM CC
5 3/4" Long



K86618-ABSB
Deco Knob
2 1/2" Long

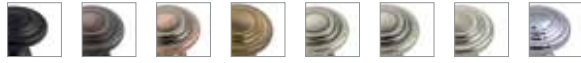


K972-ABSB
Rope Knob
1 1/5" Dia.

Note: K972 is not available in RG Finish.

Traditional Knobs

K971 AVAILABLE FINISHES

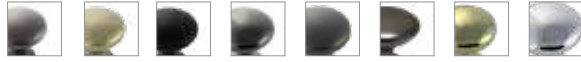


BK 10B ACM RG BNMDL SIM SN PC



K971-10B
Spherical Knob
1 3/8" Dia.

K910 AVAILABLE FINISHES



10B AB BK BN DACM DP PB PC



K910-10B
Diecast Knob
1 1/16" Dia.



RG SB SC SN WT



K810-SN
Mini Mushroom Knob
1" Dia.

Traditional Furniture Pulls

AVAILABLE FINISHES



APH SN



P81929-APH
128MM CC
5 3/8" Long



K82929-APH
Craftsman Knob
1/4" Dia.



P81393-SN
96MM CC
4 7/8" Long



P82393-SN
Diamond Knob
1 3/8" Long

AMERICAN DINER

AVAILABLE FINISHES



P2140-SN
Small Knob
1" Dia.



P2142-SN
Large Knob
1 3/8" Dia.



P2143-SN
3" C/C



P2141-SN
96MM C/C



P2144-SN
3" & 96MM C/C

NOTE: P2144 is not available in VB Finish.

BRIDGES

AVAILABLE FINISHES



P3230-SN
1 5/32" SQ
1" PROJ



P3231-SN
3" C/C, 3 5/8" L



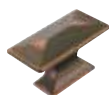
P3232-SN
96MM C/C, 4 7/16" L

BUNGALOW

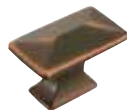
AVAILABLE FINISHES



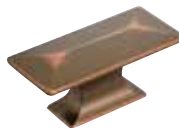
P2153-OBH
3" & 96MM C/C



P2150-OBH
Small Knob
1 1/4" L



P2151-OBH
Medium Knob
1 3/4" L



P2152-OBH
Large Knob
2 5/16" L

CHARLESTON BLACKSMITH

AVAILABLE FINISHES



P1311-RI
Knob
1 1/2" Dia.



P1312-RI
Knob
1 1/4" Dia.



P1321-RI
3" C/C
3 3/4" L



PA1322-RI
3" C/C, 4 3/8" L



PA1323-RI
3" C/C, 4 1/2" L

CRAFTSMAN

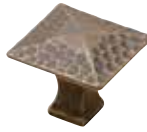
AVAILABLE FINISHES



CH WOA OBH BI



P2174-WOA
96MM C/C



P2172-WOA
Square Knob
1 1/4" SQ



P2170-WOA
Round Knob
1 1/4" Dia.



P2171-WOA
3" C/C



P2173-WOA
96MM C/C

CREST

AVAILABLE FINISHES



SN CH



H076127-CH
Square Knob
1 1/4" Dia.



H076128-CH
Round Knob
1 1/4" Dia.



H076129-CH
3" C/C
3 1/2" L



H076130-CH
96MM C/C
4" L



H076131-CH
128MM C/C
5 9/16" L



H076132-CH
160MM C/C
6 13/16" L



H076133-CH
192MM C/C
8 1/16" L



H076134-CH
224MM C/C
9 5/16" L



H076135-CH
12" C/C
12 1/2" L

EURO CONTEMPORARY

AVAILABLE FINISHES

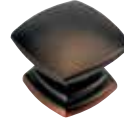


SN OBH



P2164-OBH
4" C/C
7" L

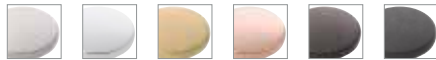
P2165-OBH
128MM C/C
9" L



P2163-OBH
Square knob
1 1/2" SQ

FORGE

AVAILABLE FINISHES



SN CH BGB CP VB BI



H076698-BGB
Round Knob
1 3/8" Dia.



H076699-BGB
Square Knob
1 7/16" Dia.



H076700-BGB
3" C/C
4 3/4" L



H076701-BGB
96MM C/C
5 1/16" L



H076702-BGB
128MM C/C
6 5/16" L



H076704-BGB
192MM C/C
7 9/16" L



H076703-BGB
160MM C/C
7 5/8" L



H076705-BGB
224MM C/C
10 1/8" L



H076706-BGB
12" C/C
13 3/8" L

GREENWICH

AVAILABLE FINISHES



14 SS WOA



P3372-SS
Knob
1 11/16" Dia.



P3370-SS
96MM C/C
4 1/4" L



P3371-SS
128MM C/C
6 3/8" L



P3041-SS
224MM C/C
10" L



P3374-SS
12" C/C
13 1/4" L

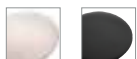


P3375-SS
18" C/C
19 1/4" L

BELWITH

KNOBS

AVAILABLE FINISHES



SN MB



P2712-MB
Small Knob
1" Dia.



PA1218-MB
Large Knob
1 1/4" Dia.

NOTE: P2712 is only available in MB Finish.



PA1217-MB
Small Knob
1" Dia.

LUNA

AVAILABLE FINISHES



SN MB VB



P3448-VB
3" C/C
4 1/8" L

MANCHESTER

AVAILABLE FINISHES



RI

VP



P2014-RI
2 1/8" L X 1 1/2"W



P2023-RI
96MM C/C
4 1/8" L

MANOR HOUSE

AVAILABLE FINISHES



LP

ST



MOCK KEY
P321-ST
1" PROJ



P329-ST
3" C/C



P8049-ST
3" C/C, 4" L



BACKPLATE
P326-ST
5 1/2" L X 1" W

NOTE: P321, P326, and P329 are not available in DAC Finish.

BELWITH

METROPOLIS

AVAILABLE FINISHES



SN

MB



P2922-SN
96MM C/C



P2921-SN
2 9/16" C/C



PA0221-SN
96MM C/C, 4 3/4" L



P7522-SN
96MM C/C, 5 1/2" L

NOTE: PA0221, P3221, P7522 and P7523 are only available in SN Finish.



P3221-SN
128MM C/C, 6 3/8" L



P7523-SN
Oblong Knob
1 5/8" L



PA0213-SN
Small Knob
1" Dia.

MOUNTAIN LODGE

AVAILABLE FINISHES



BI

WOA



P3062-WOA
Square Knob
1 1/4" SQ



P3063-WOA
Round Knob
1 1/4" Dia.



P3061-WOA
Round Knob
1 1/4" Dia.



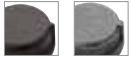
P3060-WOA
3" C/C



P3064-WOA
96MM C/C

PIPELINE

AVAILABLE FINISHES



VB BNV



HH076013-BNV
3" C/C, 3 3/4" L



HH076011-BNV
96mm C/C, 4 1/2" L



HH076012-BNV
128mm C/C, 5 3/4" L



HH075010-BNV
160mm C/C, 7" L



HH075028-BNV
1 1/4" Dia.

RALEIGH

AVAILABLE FINISHES



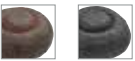
PN SN WOA OBH



P3111-WOA
5" C/C, 5 3/4" L

REFINED RUSTIC

AVAILABLE FINISHES



RI BL



P3002-BL
1 1/4" Dia.



P3003-BL
1 1/2" Dia.



P3001-BL
3" C/C, 4 3/4" L



P3000-BL
96MM C/C, 5 1/2" L



P3004-BL
3" & 96MM C/C, 5 1/2" L

ROCHESTER

AVAILABLE FINISHES



PN SN OBH

ITEM	1+	25+	100+
P3112	\$8.25	\$7.50	\$6.50
P3114	\$7.30	\$6.64	\$5.75



P3112-SN
96 MM C/C, 4 1/4" L



P3114-SN
96 MM C/C, 4 1/8" L

SOMERSET

AVAILABLE FINISHES



SN BNV DAC



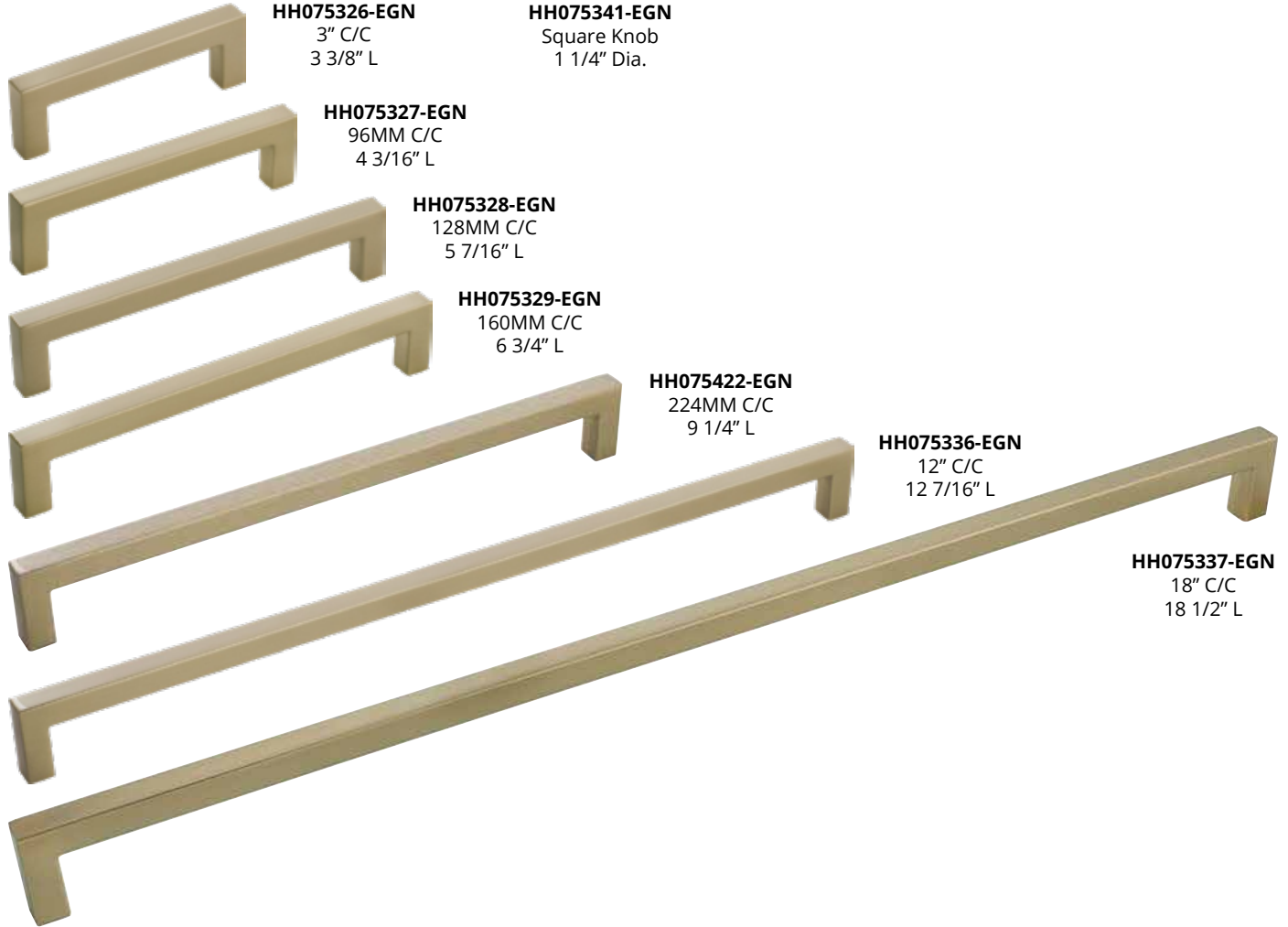
74554-DAC
1 1/8" SQ

SKYLIGHT

AVAILABLE FINISHES



14 SS EGN BGB VB



HH075326-EGN
3" C/C
3 3/8" L

HH075341-EGN
Square Knob
1 1/4" Dia.

HH075327-EGN
96MM C/C
4 3/16" L

HH075328-EGN
128MM C/C
5 7/16" L

HH075329-EGN
160MM C/C
6 3/4" L

HH075422-EGN
224MM C/C
9 1/4" L

HH075336-EGN
12" C/C
12 7/16" L

HH075337-EGN
18" C/C
18 1/2" L

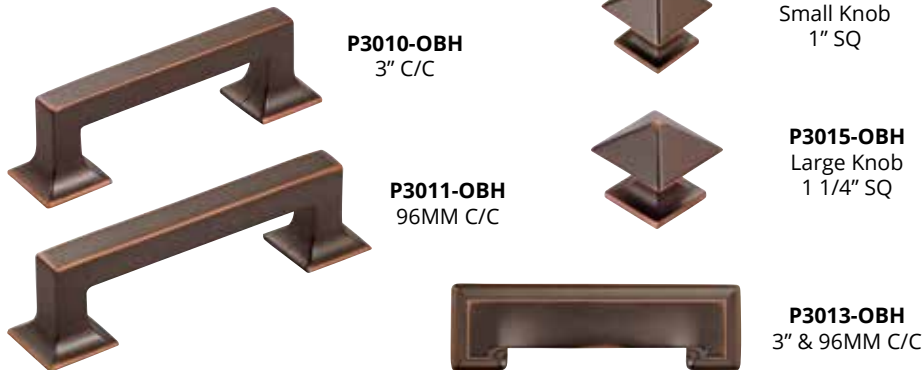
BELWITH

STUDIO

AVAILABLE FINISHES



PN SN BGB CP VBZ OBH



P3010-OBH
3" C/C

P3014-OBH
Small Knob
1" SQ

P3011-OBH
96MM C/C

P3015-OBH
Large Knob
1 1/4" SQ

P3013-OBH
3" & 96MM C/C

NOTE: P3014 is only available in PN, SN, and OBH Finishes.

TWIST

AVAILABLE FINISHES



H076015-CP
3" C/C
3 5/8" L

H076014-CP
1 1/4" Dia.



H076016-CP
96mm C/C
4 7/16" L



H076017-CP
128mm C/C
5 11/16" L



H076018-CP
160mm C/C
6 15/16" L



H076019-CP
192mm C/C
8 1/4" L



H076020-CP
224mm C/C
9 9/16" L

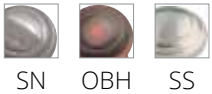


H076021-CP
12" C/C
12 11/16" L

BELWITH

ZEPHYR

AVAILABLE FINISHES



P2286-SN
Small Knob
1" Dia.



P2283-SN
Large Knob
1 1/4" Dia.



P2280-SN
3" C/C



P2281-SN
96MM C/C



P2282-SN
128MM C/C

Alvar

AVAILABLE FINISHES



PC BNBDL DBAC SN NI SBZ MB



264-3-SBZ
3" CC
3 11/16" Long



264-96-SBZ
3 3/4" CC
5 7/16" Long



264-128-SBZ
5" CC
5 3/4" Long



264-160-SBZ
6 1/4" CC
7" Long



264-192-SBZ
7 9/16" CC
8 1/4" Long

Annadale

AVAILABLE FINISHES



SN DBAC BNBDL DACM MB



435-DACM
Square knob
1 1/4" Dia.



435L-DACM
Oblong knob
1 1/2" Dia.



435-96-DACM
3 3/4" CC
5" Long



435-128-DACM
5" CC
6 1/4" Long



435-160-DACM
6 1/4" CC
7 5/8" Long



436-96-DACM
3 3/4" CC cup pull
5" Long



436-128-DACM
5" CC cup pull
6 1/4" Long

Anwick

AVAILABLE FINISHES



BNBDL DBAC NI SN



867-3-SN
3" CC
4 5/16" Long



867-96-SN
3 3/4" CC
5 1/8" Long



867-128-SN
5" CC
6 3/8" Long



867-160-SN
6 1/4" CC
7 5/8" Long



867-228-SN
9" CC
10 5/16" Long



867-320-SN
12 5/8" CC
13 15/16" Long



867L-SN
Square Knob
1 1/8" Dia.



867-SN
Oblong Knob
1 3/8" Dia.

Bordeaux

AVAILABLE FINISHES



AB BLK BNBDL DACM DBAC



NI ORB PC SIM SN



3990-ORB
Egg Knob
1 3/16" Dia.



8236-ORB
3 3/4" CC
5" Long

Audrey

AVAILABLE FINISHES



MB BNBDL DBAC SBZ BG SN PC



278-96-SBZ
96MM CC
4 1/4" Long



278-128-SBZ
128MM CC
5 9/16" Long



278-160-SBZ
160MM CC
6 13/16" Long



278-192-SBZ
192MM CC
8 1/16" Long



278-224-SBZ
224MM CC
9 3/8" Long



278-12-SBZ
12" CC
12 5/8" Long



278-305-SBZ
305MM CC
12 9/16" Long



278-18-SBZ
18" CC
18 3/4" Long



278-SBZ
Square Knob
1 1/8" Dia.



278L-SBZ
Square Knob
1 3/8" Dia.

Belcastel 1

AVAILABLE FINISHES



MO6373-BNBDL
3 3/4" CC
4 5/8" Long



MO6373-128-BNBDL
5" CC
5 7/8" Long



MO6373-160-BNBDL
6 1/4" CC
7 1/8" Long



MO6373-12-BNBDL
12" CC appliance pull
13 1/4" Long



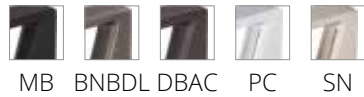
MO6373-18-BNBDL
18" CC appliance pull
19 1/4" Long



MO6303-BNBDL
Knob
1 3/8" Dia.

Boswell

AVAILABLE FINISHES



177-96
96MM CC
4 1/4" Long



177-128
128MM CC
5 9/16" Long



177-160
160MM CC
6 13/16" Long



177-192
192MM CC
8 1/16" Long



177-224
224MM CC
9 5/16" Long

Bremen 1

AVAILABLE FINISHES



BNBDL DBAC NI PC SN SBZ



ABM-D ABSB DACM DMAC SIM



117-DACM
Knob
1 1/4" Dia.



527-DACM
96MM CC
4 5/8" Long



527-128-DACM
5" CC
5 7/8" Long



527-160-DACM
6 1/4" CC
7 1/8" Long



527-12-DACM
12" CC appliance pull
13 1/16" Long

Bremen 2

AVAILABLE FINISHES



ABSB DACM DBAC DMAC NI SN



127-NI
Knob (barrel)
1 3/16" Dia.



137-NI
Knob (stacked)
1 1/4" Dia.



537-NI
3 3/4" CC
4 3/16" Long



537-128-NI
5" CC
5 7/16" Long



537-160-NI
6 1/4" CC
6 9/16" Long



537-12-NI
12" CC appliance pull
12 11/16" Long

Cairo

AVAILABLE FINISHES



595-SN
Knob
1 1/4" Dia.



595-96-SN
3 3/4" CC
4 13/16" Long



595-128-SN
5" CC
6 1/16" Long

Callie

AVAILABLE FINISHES



839-3-PC
3" CC
4 3/16" Long



839-96-PC
3 3/4" CC
4 15/16" Long



839-128-PC
5" CC
6 1/4" Long

839-160-PC
60 1/4" CC
7 1/2" Long

Carmen

AVAILABLE FINISHES



775-96-SBZ
96MM CC
4 3/4" Long



775-128-SBZ
128MM CC
6" Long



775-160-SBZ
160" CC
7 1/4" Long



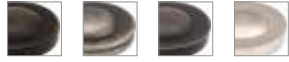
775-SBZ
Knob
1 1/16" Dia.



775L-SBZ
"T" Knob
2" Long

Cordova

AVAILABLE FINISHES



ABSB BNBDL DBAC SN



0251-SN
Knob
1 3/8" Dia.



Z110-SN
Knob
1 3/16" Dia.



Z111-SN
Knob
1 1/4" Dia.

NOTE: 0251 is also available in BNBDL Finish. Z110 is also available in BNBDL, DACM or SIN Finishes.



Z281-SN
3" CC
3 3/8" Long



Z280-SN
3 3/4" CC
4 3/16" Long



Z281-128-SN
5" CC
5 7/16" Long



Z281-160-SN
6 1/4" CC
6 11/16" Long



Z281-12-SN
12" CC appliance pull
12 3/4" Long



Z281-18-SN
18" CC appliance pull
18 3/4" Long

Dominique

AVAILABLE FINISHES



MB BNBDL DBAC SBZ BG SN PC



845-BNBDL
Knob
1 1/8" Dia.



845T-BNBDL
Knob
2" Dia.



845TL-BNBDL
Knob
2 1/4" Dia.



845-96-BNBDL
3 3/4" CC
5 3/4" Long



845-128 -BNBDL
5" CC
7 1/16" Long



845-160 -BNBDL
6 1/4" CC
8 5/16" Long



845-192 -BNBDL
7 1/2" CC
9 9/16" Long



845-305 -BNBDL
12" CC
14" Long



845-12 -BNBDL
12" CC
15" Long



845-18 -BNBDL
18" CC
21" Long

Delmar

AVAILABLE FINISHES



SN DBAC BNBDL DACM DP



585-96-DP
3 3/4" CC
4 1/2" Long

585-DP
Small knob
1" Dia.

585L-DP
Large knob
1 1/4" Dia.

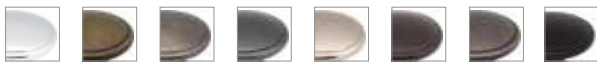
585-128-DP
5" CC
5 13/16" Long

585-160-DP
6 1/4" CC
7 1/16" Long

585-12-DP
12" appliance pull
13 1/4" Long

Durham

AVAILABLE FINISHES



PC ABSB BNBDL DACM SN ORB DBAC MB



Z290-3-DBAC
3" CC
3 3/8" Long



3980-DBAC
Knob
1 1/4" Dia.

Z290-96-DBAC
3 3/4" CC
4 1/4" Long

Z290-128-DBAC
5" CC
5 1/2" Long

Z290-160-DBAC
6 1/4" CC
6 3/4" Long

Z290-12-DBAC
12" CC
13" Long

Elara

AVAILABLE FINISHES



BNBDL MB DBAC PC SN SBZ



484-32-SBZ
32MM CC
2 1/16" Long



484-396-SBZ
3" or 96MM CC
4 9/16" Long



484-128160-SBZ
128MM or 160MM CC
7 1/8" Long



484-192224-SBZ
192MM or 224MM CC
9 5/8" Long



484-305-SBZ
305MM CC
12 13/16" Long



484-SBZ
Knob
1 1/4" Dia.

Ella

AVAILABLE FINISHES



NI DBAC SN PC BNBDL



165-96-BNBDL
3 3/4" CC
4 1/2" Long



165-BNBDL
Knob
1 1/4" Dia.



165-128-BNBDL
5" CC
5 13/16" Long



165-160-BNBDL
6 1/4" CC
7 1/16" Long



165-12-BNBDL
12" CC
13" Long

Fontana – New!

AVAILABLE FINISHES



BNBDL MB DBAC PC SN SBZ



782-MB
Square Knob
1 3/8" Long



782-96-MB
3 3/4" CC
4 1/2" Long



782-128-MB
5 1/16" CC
5 13/16" Long



782-160-MB
6 5/16" CC
7 1/16" Long



782-192-MB
7 9/16" CC
8 5/16" Long



782-224-MB
8 13/16" CC
9 9/16" Long



782-305-MB
12" CC
12 3/4" Long



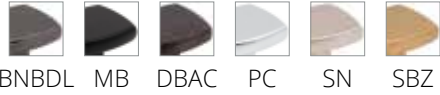
782-12-MB
12" CC Appliance Pull
13 1/8" Long



782-18-MB
18" CC Appliance Pull
19 1/8" Long

Griffin – New!

AVAILABLE FINISHES



663-DBAC
Square Knob
1 3/8" Long



663-96-DBAC
3 3/4" CC
4 1/2" Long



663-128-DBAC
5 1/16" CC
5 13/16" Long



663-160-DBAC
6 5/16" CC
7 1/16" Long



663-192-DBAC
7 9/16" CC
8 5/16" Long



663-224-DBAC
8 13/16" CC
9 9/16" Long



663-305-DBAC
12" CC
12 3/4" Long



663-12-DBAC
12" CC Appliance Pull
13 1/8" Long



663-18-DBAC
18" CC Appliance Pull
19 1/8" Long

Harlow

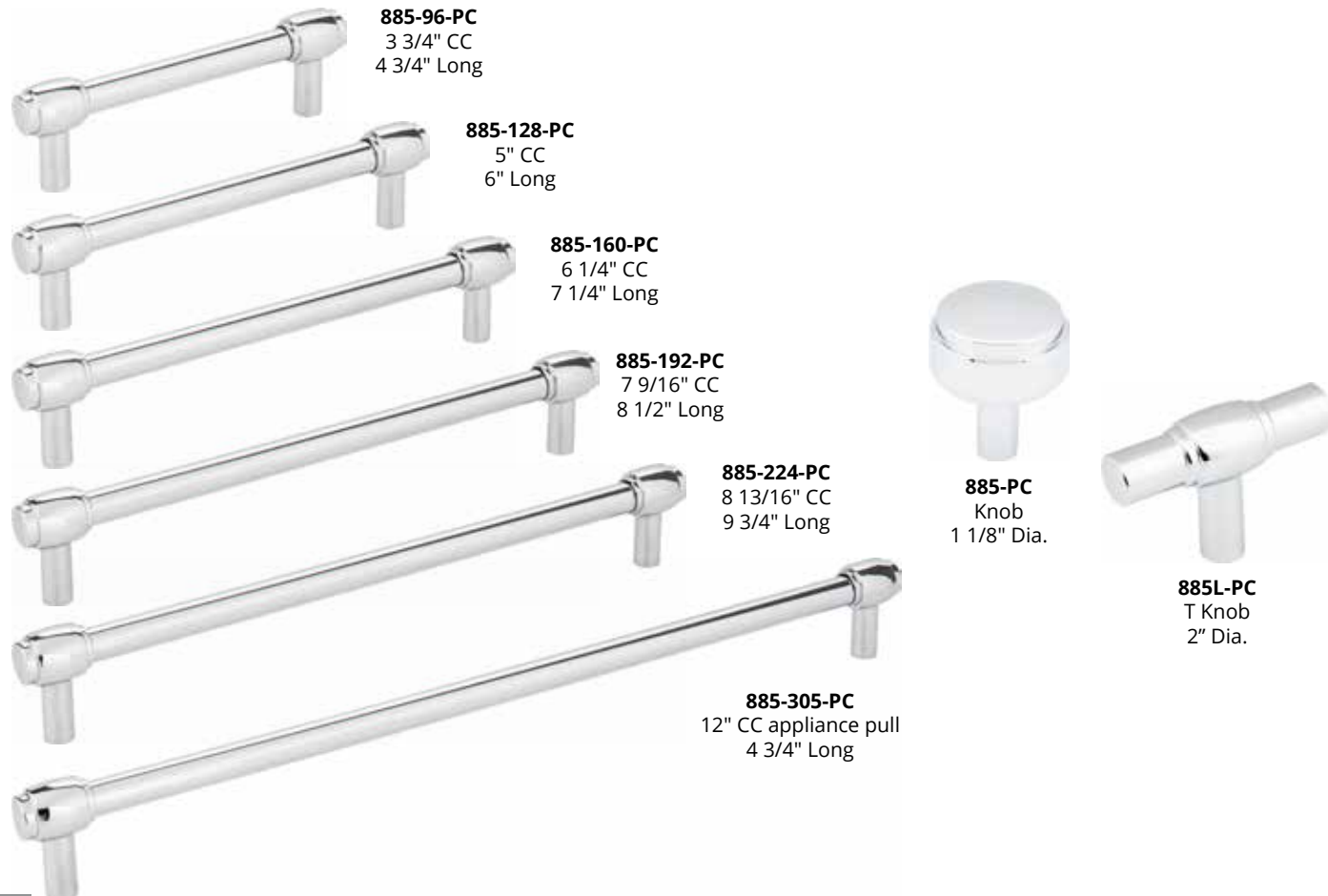


Hayworth

AVAILABLE FINISHES

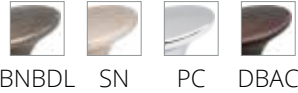


NI PC SN MB



Hudson

AVAILABLE FINISHES



650-96-DBAC
3 3/4" CC
4 3/8" Long



650-DBAC
Knob
1 7/8" Dia.



650-128-DBAC
5" CC
5 5/8" Long



650-160-DBAC
6 1/4" CC
6 15/16" Long



650-12-DBAC
12" CC appliance pull
13" Long

Katharine

AVAILABLE FINISHES



BNBDL DBAC PC SN



188-96-SN
3 3/4" CC
4 3/8" Long



188-128-SN
5" CC
5 11/16" Long



188-160-SN
6 1/4" CC
6 15/16" Long



188-SN
Small Knob
7/8" Dia.



188L-SN
Large Knob
1" Dia.

Ivan – New!

AVAILABLE FINISHES



BNBDL MB PC SN SBZ



566-96-BNBDL
3 3/4" CC
4 7/16" Long



566-128-BNBDL
5 1/16" CC
5 11/16" Long



566-160-BNBDL
6 5/16" CC
6 15/16" Long



566-192-BNBDL
7 9/16" CC
8 3/16" Long



566-305-BNBDL
12" CC
12 5/8" Long



566-12-BNBDL
12" CC Appliance Pull
12 3/4" Long



506-18-BNBDL
18" CC Appliance Pull
18 3/4" Long

Jules – New!

AVAILABLE FINISHES



BNBDL MB PC SN SBZ



132-SBZ
Round Knob
1 3/8" Long



132-96-SBZ
3 3/4" CC
4 1/2" Long



132-128-SBZ
5 1/16" CC
5 13/16" Long



132-160-SBZ
6 5/16" CC
7 1/16" Long



132-192-SBZ
7 9/16" CC
8 5/16" Long



132-224-SBZ
8 13/16" CC
9 9/16" Long



132-305-SBZ
12" CC
12 3/4" Long



132-12-SBZ
12" CC Appliance Pull
13 1/8" Long



132-18-SBZ
18" CC Appliance Pull
19 1/8" Long

Key Grande

AVAILABLE FINISHES



MB MBBG BG MBSN SN



596-SN
3 3/4" CC
5 3/8" Long



5128-SN
5" CC
6 5/8" Long



5192-SN
7 9/16" CC
9 1/8" Long



5224-SN
8 13/16" CC
10 3/8" Long



5319-SN
12 5/8" CC
14 1/8" Long



5480-SN
18 7/8" CC
20 1/2" Long



5673-SN
26 1/2" CC
28 1/16" Long

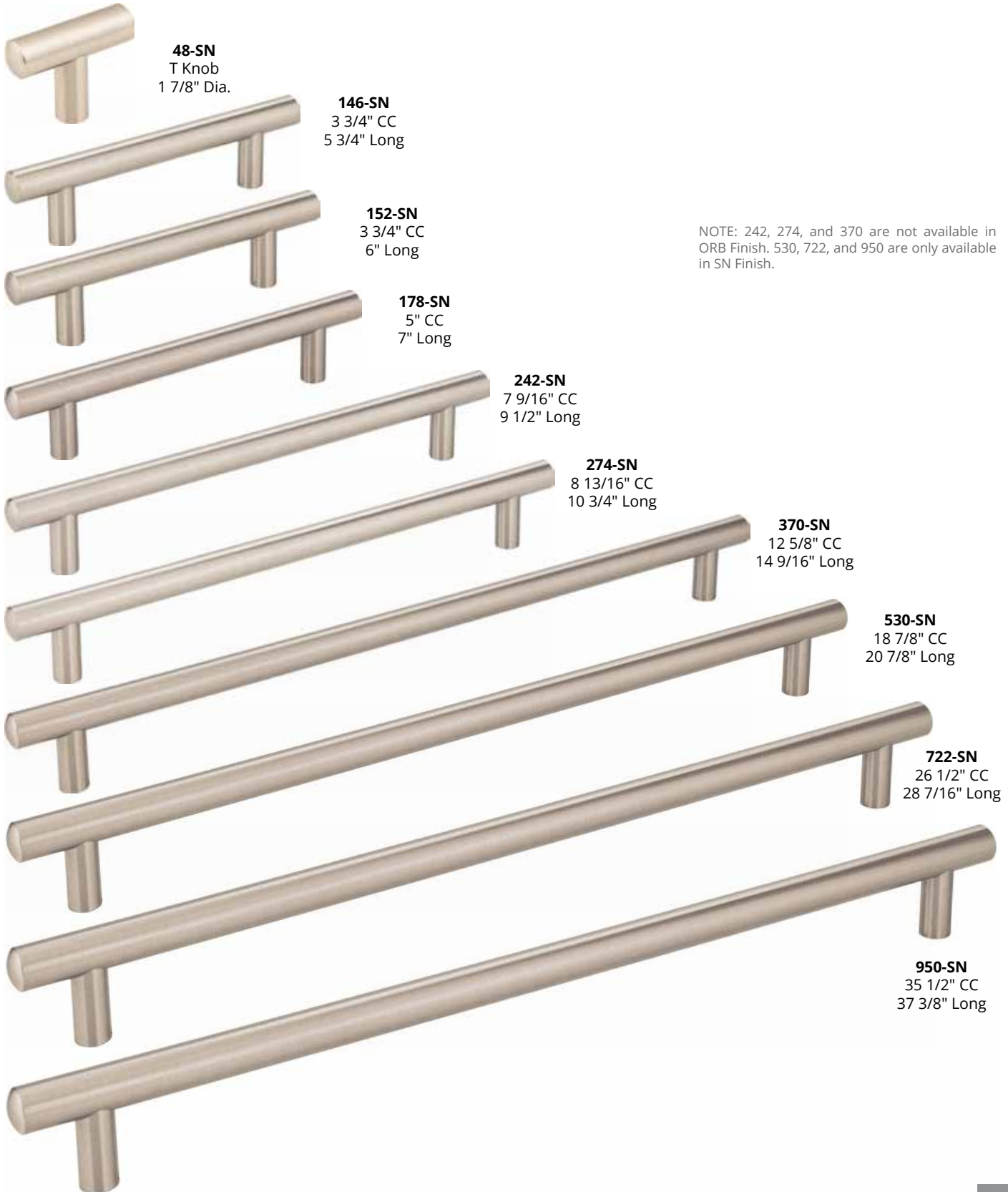


5900-SN
35 7/16" CC
37" Long

NOTE: 5480, 5673, and 5900 are only available in SN Finish.

Key West & Key Largo

AVAILABLE FINISHES



Lafayette

AVAILABLE FINISHES



ABSB BNBDL DBAC SN



218-DBAC
Fleur-de-lis Knob
1 3/8" Dia.



317-DBAC
Circles Knob
1 3/8" Dia.



417-DBAC
Baroque Knob
1 3/8" Dia.



317-96-DBAC
3 3/4" CC
4 3/8" Long



317-128-DBAC
5" CC
5 5/8" Long



317-160-DBAC
6 1/4" CC
6 7/8" Long



317-12-DBAC
12" CC appliance pull
12 15/16" Long

JEFFREY ALEXANDER

132-160-SBZ
Jules



Larkin 1 & 2

AVAILABLE FINISHES



478-96-MBSN
96MM CC
6 1/8" Long



478-128-MBSN
128MM CC
7 3/8" Long



478-160-MBSN
160MM CC
8 11/16" Long



478-192-MBSN
192MM CC
9 15/16" Long



478-305-MBSN
305MM CC
14 3/8" Long



478-12-MBSN
12" CC appliance pull
14 3/8" Long



478-18-MBSN
18" CC appliance pull
20 3/8" Long



478T-MBSN
"T" Knob
2 3/8" Long

Larkin 3 & 4 – New!

AVAILABLE FINISHES



MB SBZ BG SN



598-96-BG
698-96-BG
96MM CC
6 1/8" Long



598-128-BG
698-128-BG
128MM CC
7 3/8" Long



598-160-BG
698-160-BG
160MM CC
8 11/16" Long



598-192-BG
698-192-BG
192MM CC
9 15/16" Long



598-305-BG
698-305-BG
305MM CC
14 3/8" Long



598-12-BG
698-12-BG
12" CC appliance pull
14 3/8" Long



598-18-BG
698-18-BG
18" CC appliance pull
20 3/8" Long



598
Knurled Center



698
Knurled Ends

Leyton

AVAILABLE FINISHES



BNBDL DBAC SN PC NI SBZ



286-96-SBZ
3 3/4" CC
5 1/8" Long



286-128-SBZ
5" CC
6 3/8" Long



286-160-SBZ
6 1/4" CC
7 11/16" Long



286-192-SBZ
7 9/16" CC
8 15/16" Long



286-224-SBZ
8 13/16" CC
10 3/16" Long



686-SBZ
Southerland

Loxley

AVAILABLE FINISHES



BG BNBDL DBAC MB PC SBZ SN



329-96-MB
3 3/4" CC
4 9/16" Long



329-128-MB
5 1/16" CC
5 7/8" Long



329-160-MB
6 5/16" CC
7 1/8" Long



329-192-MB
7 9/16" CC
8 7/16" Long



329-305-MB
12" CC
8 7/16" Long



329-12-MB
12" CC appliance pull
13 7/8" Long



329-18-MB
18" CC appliance pull
19 7/16" Long



329
Knob
1 1/4" Dia.

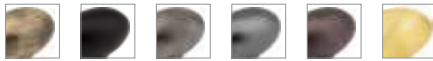


329L
Knob
1 1/2" Dia.

JEFFREY ALEXANDER

Lyon

AVAILABLE FINISHES



AB BLK BNBDL DACM DBAC BG



NI ORB PC SIM SN SBZ



3991-PC
Egg Knob
1 9/16" Dia.



8233-PC
3" CC
4 15/16" Long

Marie

AVAILABLE FINISHES



MB DBAC BNBDL SBZ SN PC



445-BNBDL
Knob
1 1/4" Dia.



445-96-BNBDL
96MM CC
4 3/8" Long



445-128-BNBDL
128MM CC
5 5/8" Long



445-160-BNBDL
160MM CC
6 7/8" Long



445-192-BNBDL
192MM CC
8 3/16" Long



445-224-BNBDL
224MM CC
9 7/16" Long



445-305-BNBDL
305MM CC
12 11/16" Long



445-12-BNBDL
12" CC appliance pull
13" Long



445-18-BNBDL
18" CC appliance pull
19" Long

JEFFREY ALEXANDER

Marlo

AVAILABLE FINISHES



NI BNBDL DBAC PC SN



972S-SN
Small knob
7/8" Dia.



972-SN
Medium knob
1 1/8" Dia.



972L-SN
Large knob
1 1/4" Dia.



972-96-SN
3 3/4" CC
4 1/2" Long



972-128-SN
5" CC
5 13/16" Long



972-160-SN
6 1/4" CC
7 1/16" Long



972-224-SN
8 13/16" CC
9 3/4" Long



972-305-SN
12" CC
12 3/4" Long



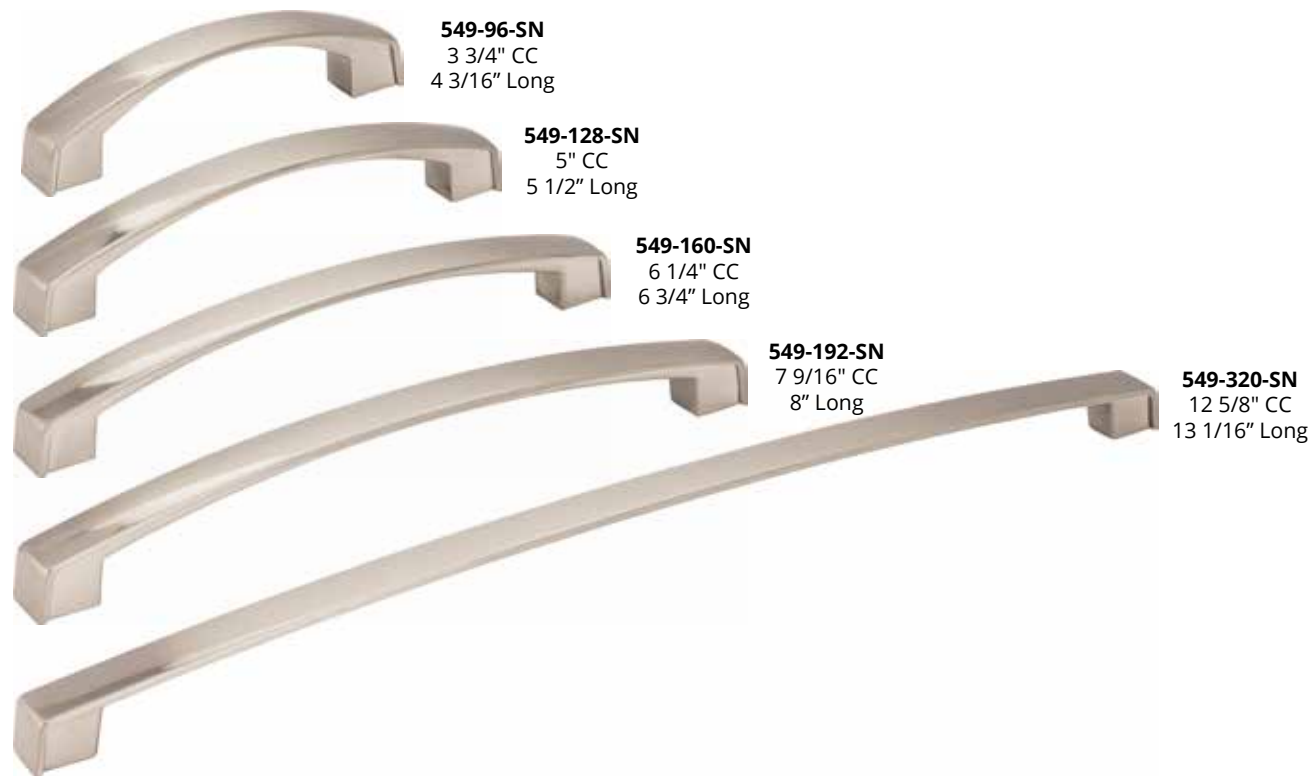
972-12-SN
12" CC appliance pull
13" Long

Merrick

AVAILABLE FINISHES



PC BNBDL DBAC SN MB SBZ



549-96-SN
3 3/4" CC
4 3/16" Long

549-128-SN
5" CC
5 1/2" Long

549-160-SN
6 1/4" CC
6 3/4" Long

549-192-SN
7 9/16" CC
8" Long

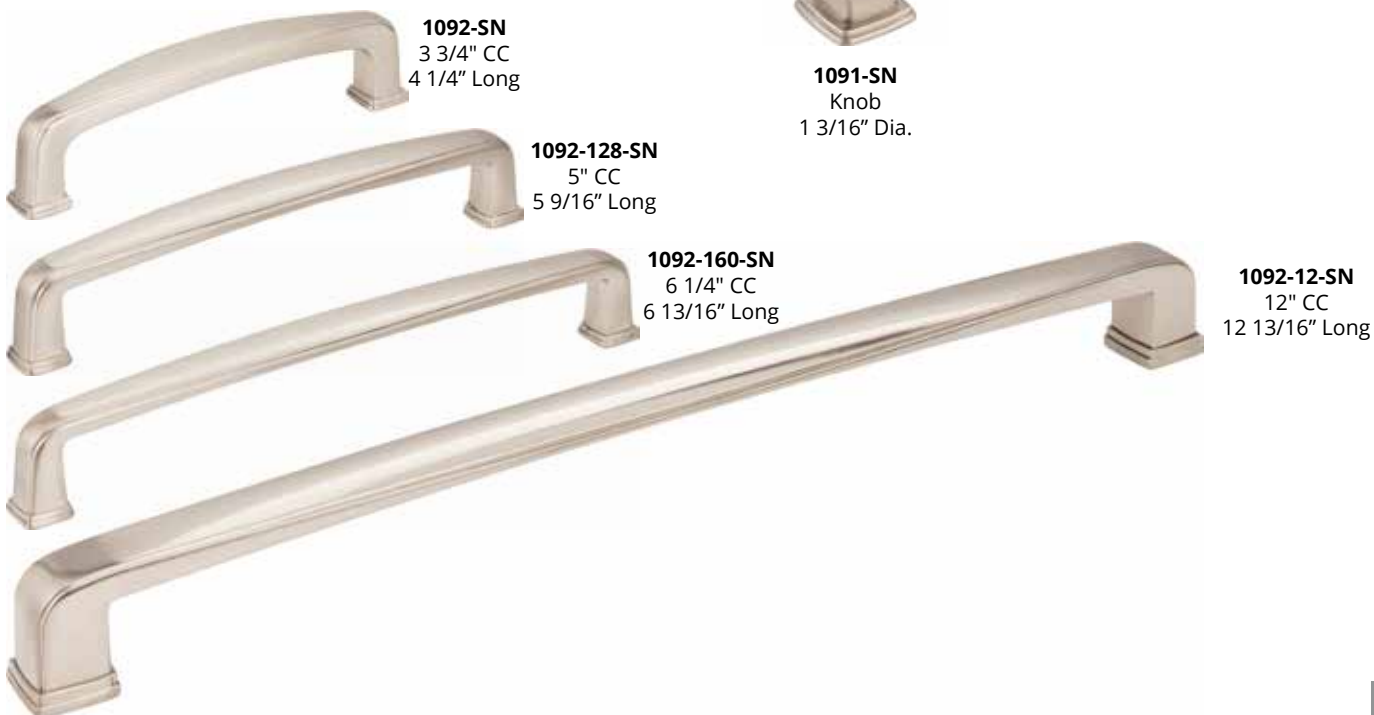
549-320-SN
12 5/8" CC
13 1/16" Long

Milan 1

AVAILABLE FINISHES



AB BNBDL DACM DBAC PC AEM SN MB



1092-SN
3 3/4" CC
4 1/4" Long

1092-128-SN
5" CC
5 9/16" Long

1092-160-SN
6 1/4" CC
6 13/16" Long

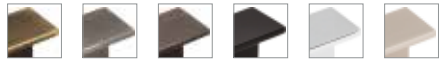
1092-12-SN
12" CC
12 13/16" Long



1091-SN
Knob
1 3/16" Dia.

Mirada

AVAILABLE FINISHES



ABSB BNBDL DBAC MB PC SN



81021-PC
5/8" CC Knob
1 9/16" Dia.



80152-96-PC
3 3/4" CC
5 9/16" Long



80152-128-PC
5" CC
6 13/16" Long



80152-160-PC
6 1/4" CC
8 1/16" Long

Philip

AVAILABLE FINISHES



MB BNBDL DBAC BG SBZ PC SN



767-SBZ
Knob
1 1/4" Dia.



767-96-SBZ
3 3/4" CC
5" Long



767-128-SBZ
5" CC
6 5/16" Long



767-160-SBZ
6 1/4" CC
7 9/16" Long

Regan

AVAILABLE FINISHES



DBAC SN PC BNBDL MB



847-96-BNBDL
3 3/4" CC
5 9/16" Long



847-128-BNBDL
5" CC
6 13/16" Long



847-160-BNBDL
6 1/4" CC
8 1/16" Long

Renzo

AVAILABLE FINISHES



141-96-BG
3 3/4" CC
4 5/8" Long



141-128-BG
5 1/16" CC
5 7/8" Long



141-160-BG
6 5/16" CC
7 1/8" Long



141-192-BG
7 9/16" CC
8 3/8" Long



141-305-BG
12" CC
12 7/8" Long



141-BG
Square Knob
1 1/4" Dia.



141L-BG
Square Knob
1 3/4" Dia.

Rhodes

AVAILABLE FINISHES



Z260-3-DACM
3" CC
3 3/4" Long



Z261-96-DACM
3 3/4" CC
4 1/2" Long



Z261-128-DACM
5" CC
5 13/16" Long



Z260-12-DACM
12" CC appliance pull
13 1/4" Long



S6060-DACM
Knob & backplate
1 1/4" Dia.



B812-96R-DACM
3 3/4" CC
6" Long

Richard

AVAILABLE FINISHES



MB BNBDL DBAC SBZ BG SN PC



171-DBAC
Knob
1 1/4" Dia.



171L-DBAC
Knob
1 3/4" Dia.



171-96-DBAC
96MM CC
4 3/8" Long



171-128-DBAC
128MM CC
5 5/8" Long



171-160-DBAC
160MM CC
6 7/8" Long



171-192-DBAC
192MM CC
8 1/8" Long



171-305-DBAC
305MM CC
12 5/8" Long



171-12-DBAC
12" CC appliance pull
12 13/16" Long



171-18-DBAC
18" CC appliance pull
18 13/16" Long

Roman

AVAILABLE FINISHES



944-96-SBZ
3 3/4" CC
4 15/16" Long



944-SBZ
Knob
1 1/4" Dia.



944-128-SBZ
5" CC
6 1/4" Long



944-160-SBZ
6 1/4" CC
7 1/2" Long



944-192-SBZ
7 1/2" CC
8 3/4" Long



944-224-SBZ
8 13/16" CC
10" Long



944-305-SBZ
12" CC
13 3/16" Long



944-12-SBZ
12" CC Appliance Pull
13 5/8" Long

Royce

AVAILABLE FINISHES



BNBDL DBAC PC SN



798-96-PC
3 3/4" CC
5 1/2" Long

798-128-PC
5" CC
6 3/4" Long

798-160-PC
6 3/4" CC
8 1/2" Long

Sonoma

AVAILABLE FINISHES



BNBDL DBAC MB PC SN



4128-MB
5" CC
6 5/16" Long

431-MB
Knob
1 3/16" Dia.

4160-MB
6 1/4" CC
8" Long

4192-MB
7 9/16" CC
9 5/8" Long

4288-MB
11 3/8" CC
14 7/16" Long

Southerland – New!

AVAILABLE FINISHES



Spencer

AVAILABLE FINISHES



Sullivan

AVAILABLE FINISHES



SN BNBDL DBAC MB PC



752-96-DBAC
96MM CC
4 1/2" Long



752-128-DBAC
128MM CC
5 13/16" Long



752-160-DBAC
160MM CC
7 1/16" Long



752-192-DBAC
192MM CC
8 15/16" Long



752-224-DBAC
224MM CC
9 9/16" Long



752-19-DBAC
19MM CC
1 1/4" Dia.

Sutton

AVAILABLE FINISHES



BG BNBDL DBAC MB NI PC SBZ SN



635-32-PC
1 1/4" CC
2 1/4" Long



635-96-PC
3 3/4" CC
4 3/4" Long



635-128-PC
5" CC
5 7/8" Long



635-160-PC
6 1/4" CC
7 1/2" Long



635-256-PC
10 1/16" CC
11 7/16" Long

Tahoe

AVAILABLE FINISHES



BLK DMAC SIM



602-96-SIM
3 3/4" CC
4 1/2" Long



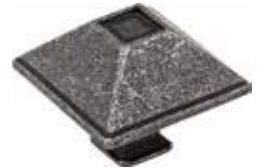
602-128-SIM
5" CC
5 13/16" Long



602-12-SIM
12" CC
12 3/4" Long



602S-SIM
Small knob
1 1/4" Dia.



602-SIM
Large knob
1 1/2" Dia.

Wheeler

AVAILABLE FINISHES



MB DBAC BNBDL SBZ BG SN PC



678-96-MB
96MM CC
5" Long



678-128-MB
128MM CC
6 1/4" Long



678-160-MB
160MM CC
7 1/2" Long



678-18-MB
18" CC appliance pull
20 1/4" Long



678-MB
Knob
1 1/4" Dia.

Tiffany

AVAILABLE FINISHES



BG BNBDL DBAC NI PC SBZ SN



658-SBZ
Knob
1 1/4" Dia.



658-96-SBZ
3 3/4" CC
4 1/2" Long



658-128-SBZ
5" CC
5 13/16" Long



658-160-SBZ
6 1/4" CC
7 1/16" Long



658-192-SBZ
7 9/16" CC
8 3/8" Long



658-224-SBZ
8 13/16" CC
9 7/8" Long



658-12-SBZ
12" CC appliance pull
13" Long

Whitlock – New!

AVAILABLE FINISHES



MB PC SN SBZ BG



905-PC
Square Knob
1 1/4" Long



905-96-PC
3 3/4" CC
5" Long



905-128-PC
5 1/16" CC
6 1/4" Long



905-160-PC
6 5/16" CC
7 1/2" Long



905-192-PC
7 9/16" CC
8 3/4" Long



905-305-PC
12" CC
13 1/4" Long



905-12-PC
12" CC Appliance Pull
14 1/2" Long



905-18-PC
18" CC Appliance Pull
20 1/2" Long

Zane

AVAILABLE FINISHES



NI SN PC BNBDL MB



293T-BNBDL
Knob
2" Dia.



293-96-BNBDL
3 3/4" CC
5 1/16" Long



293-128-BNBDL
5" CC
6 5/16" Long



293-160-BNBDL
6 1/4" CC
7 9/16" Long



293-192-BNBDL
7 9/16" CC
8 13/16" Long



293-224-BNBDL
8 13/16" CC
10 1/16" Long



293-305-BNBDL
12" CC
13 3/4" Long



Aiden

AVAILABLE FINISHES



PC DBAC BNBDL SN



993-BNBDL
Knob
1 5/8" Proj.



993-3-BNBDL
3" CC
4 1/16" Long

993-96-BNBDL
3 3/4" CC
4 13/16" Long

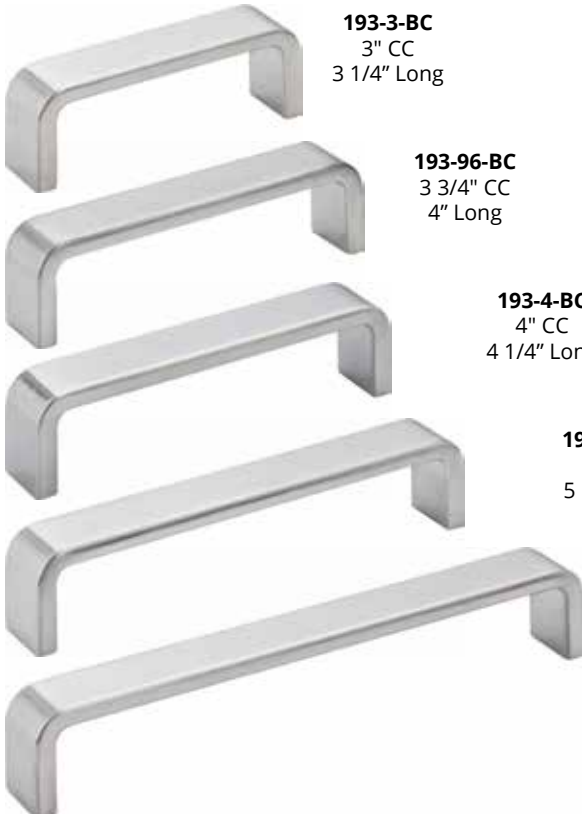
993-128-BNBDL
5 1/16" CC
6 1/8" Long

Asher

AVAILABLE FINISHES



SN BNBDL DBAC PC BC MB



193-3-BC
3" CC
3 1/4" Long

193-96-BC
3 3/4" CC
4" Long

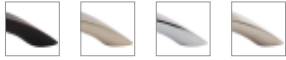
193-4-BC
4" CC
4 1/4" Long

193-128-BC
5" CC
5 1/4" Long

193-160-BC
6 1/4" CC
6 9/16" Long

Belfast

AVAILABLE FINISHES



BLK DN PC SN



308-128-DN
5" CC
5 1/2" Long

406-128-DN
5" CC
6 1/2" Long

745-128-DN
5" CC
5 1/2" Long

776-128-DN
5" CC
5 1/2" Long

976-128-DN
5" CC
6" Long

Brenton

AVAILABLE FINISHES



BC BNBDL DACM DBAC PC SN MB



239-96-BNBDL
3 3/4" CC
4 5/16" Long



239-BDBDL
Knob
1" Dia.

239-128-BNBDL
5" CC
5 9/16" Long

239-160-BNBDL
6 1/4" CC
6 13/16" Long

239-192-BNBDL
7 9/16" CC
8 1/16" Long

Cosgrove

AVAILABLE FINISHES



BNBDL DBAC PC SN



382-96-BNBDL
3 3/4" CC
6 1/2" Long

382-128-BNBDL
5" CC
7 3/4" Long

382-160-BNBDL
6 1/4" CC
9" Long



382-BNBDL
Knob
1 1/2" Dia.

Capri

AVAILABLE FINISHES



412461-SN
Knob
1 1/8" Dia.



530142-SN
Knob
1" Dia.



530143-DN
Knob
1 1/4" Dia.



3211-SN
3" CC
4 7/8" Long



4656-SN
3" CC
3 3/8" Long



411689-DN
3 3/4" CC
4 3/8" Long



4690-SN
3 3/4" CC
4 1/2" Long



530144-DN
3 3/4" CC
5 1/8" Long



417572-DN
5" CC
4 1/2" Long



Z205-BB
5" CC
5 3/4" Long

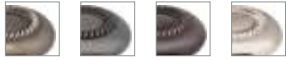


Z500-128-SN
5" CC
5 5/8" Long

NOTE: 412461, 530142, 3211, 4656, 4690 and Z500-128 are only available in SN Finish. 531043, 411689, 530144 and 417572 are only available in DN Finish. Z205 is only available in BB or BC Finishes.

Cypress

AVAILABLE FINISHES



BNBDL DACM DBAC SN



Z118-DACM
Knob
1 1/4" Dia.



Z118-3-DACM
3" CC
3 3/8" Long



Z118-96-DACM
3 3/4" CC
4 1/8" Long

Edgefield

AVAILABLE FINISHES



PC MB SN BC ABG



A500-125-BC
16mm CC tab pull
1.25" Long



A500-3-BC
60mm CC tab pull
3" Long



A500-4-BC
76mm CC tab pull
4" Long



A500-6-BC
127mm CC tab pull
6" Long



A500-8-BC
90mm CC tab pull (3 holes)
8" Long



A500-10-BC
114mm CC tab pull (3 holes)
10" Long



A500-12-BC
90mm CC tab pull (4 holes)
12" Long

Florence

AVAILABLE FINISHES



AB BNBDL DACM DBAC ORB MB PC SBZ SN



2981-SBZ
3" CC cup pull
3 11/16" Long



2980-SBZ
Knob
1 1/4" Dia.

Gatsby

AVAILABLE FINISHES



BNBDL DACM DBAC PC SN MB



3940-PC
Knob
1 1/4" Dia.



3950-PC
Knob
1 3/16" Dia.



3960-PC
Knob
1 1/4" Dia.



3970-PC
Knob
1 1/8" Dia.

NOTE: AB Finish only available in 3960, 3970, 3108.



3108-PC
3" CC
5 1/4" Long



3208-PC
3" CC
4 1/4" Long



3308-PC
3" CC
4 1/2" Long

Gibson

AVAILABLE FINISHES



MB BNBDL SBZ BG SN PC



105-96-SBZ
96MM CC
4 1/4" Long



105-128-SBZ
128MM CC
5 1/2" Long



105-160-SBZ
160MM CC
6 3/4" Long



105-192-SBZ
192MM CC
8" Long



105-224-SBZ
224MM CC
9 5/16" Long



105-305-SBZ
305MM CC
12 1/2" Long



105-12-SBZ
12" CC Appliance Pull
12 3/4" Long



105-SBZ
Knob
1 1/4" Dia.



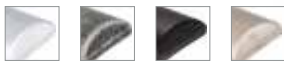
105L-SBZ
Knob
1 5/8" Dia.

Glendale

AVAILABLE FINISHES



ABM-DBNBDL DBAC DMAC SBZ



PC SIM MB SN



525-96-SIM
3 3/4" CC
5" Long



525-SIM
Knob
1" Dia.

Hadly

AVAILABLE FINISHES



DBAC PC SN BNBDL MB BG SBZ



449-3-BNBDL
3" CC
4" Long



449-96-BNBDL
96 mm CC
4 3/4" Long



449-128-BNBDL
5" CC
6 1/16" Long



449-160-BNBDL
6 1/4" CC
7 5/16" Long



449-BNBDL
Knob
1" Dia.

Hammond

AVAILABLE FINISHES



BNBDL DBAC PC SN MB



937-3-SN
3" CC
4 7/8" Long



937-96-SN
3 3/4" CC
5 11/16" Long

Kenner

AVAILABLE FINISHES



PC BNBDL DBAC SN MB



254-3-BNBDL
3" CC
5" Long

254-96-SN
3 3/4" CC
5 3/4" Long



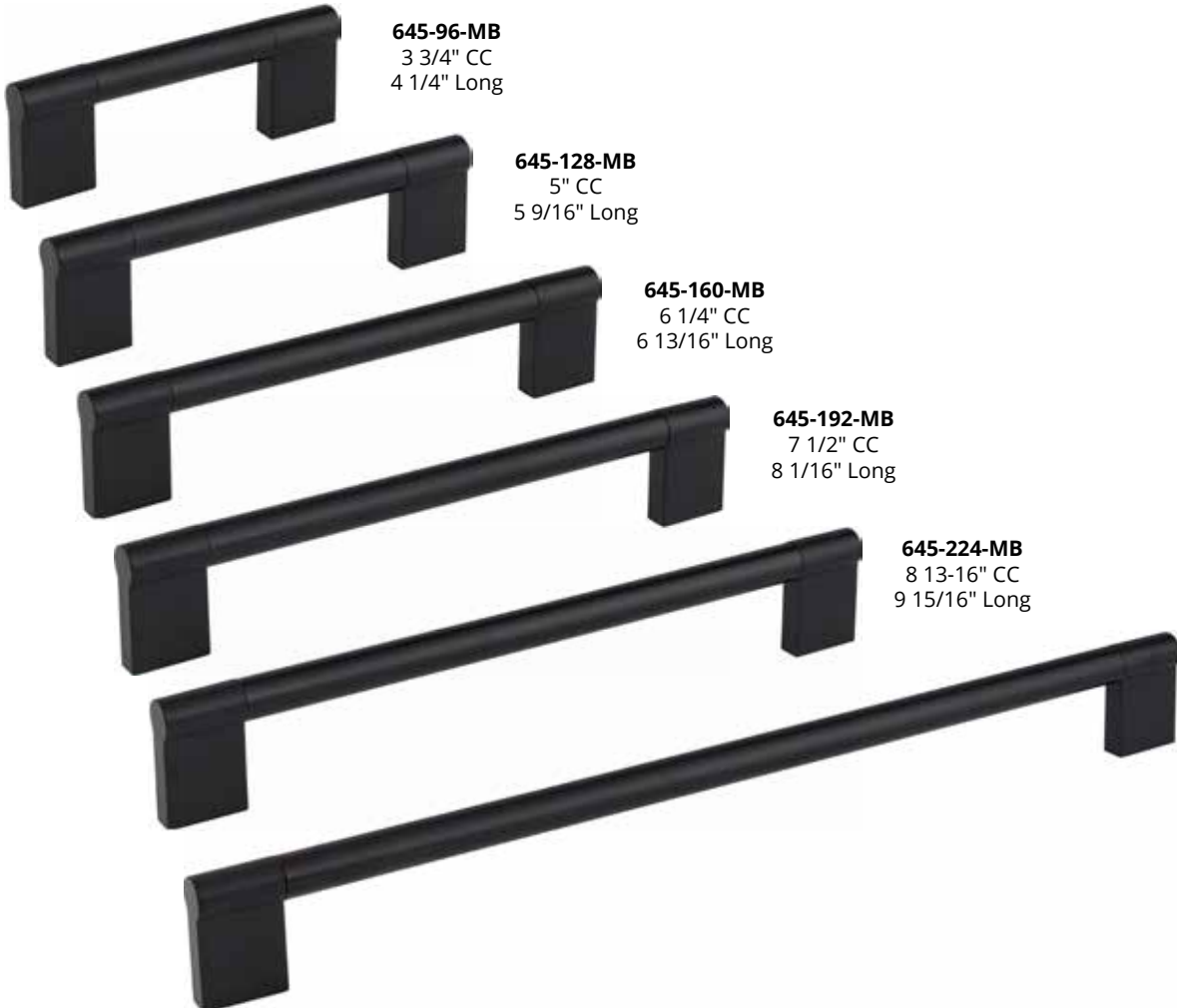
3970-SN
Knob
1 1/8" Dia.

Knox

AVAILABLE FINISHES



MB SN PC



645-96-MB
3 3/4" CC
4 1/4" Long

645-128-MB
5" CC
5 9/16" Long

645-160-MB
6 1/4" CC
6 13/16" Long

645-192-MB
7 1/2" CC
8 1/16" Long

645-224-MB
8 13/16" CC
9 15/16" Long

645-320-MB
12 1/2" CC
13 1/16" Long

Lindos

AVAILABLE FINISHES



BNBDL DBAC PC SN



Z115-96-BNBDL
3 3/4" CC
4 3/8" Long



Z115-128-BNBDL
5" CC
5 9/16" Long



Z115-BNBDL
Knob
1 1/4" Dia.



Z115L-BNBDL
Knob
1 3/8" Dia.

Madison

AVAILABLE FINISHES



AB BC BN BNBDL DACM SBZ DBAC



MB ORB PB SB SN PC



Z259-3-AB
3" CC
3 3/8" Long



3910-AB
Knob
1 3/16" Dia.

NOTE: Z259-3 is not available in ALM or WH Finishes.

Merryville

AVAILABLE FINISHES



BNBDL DBAC PC SN



897-3-BNBDL
3" CC
5 1/8" Long



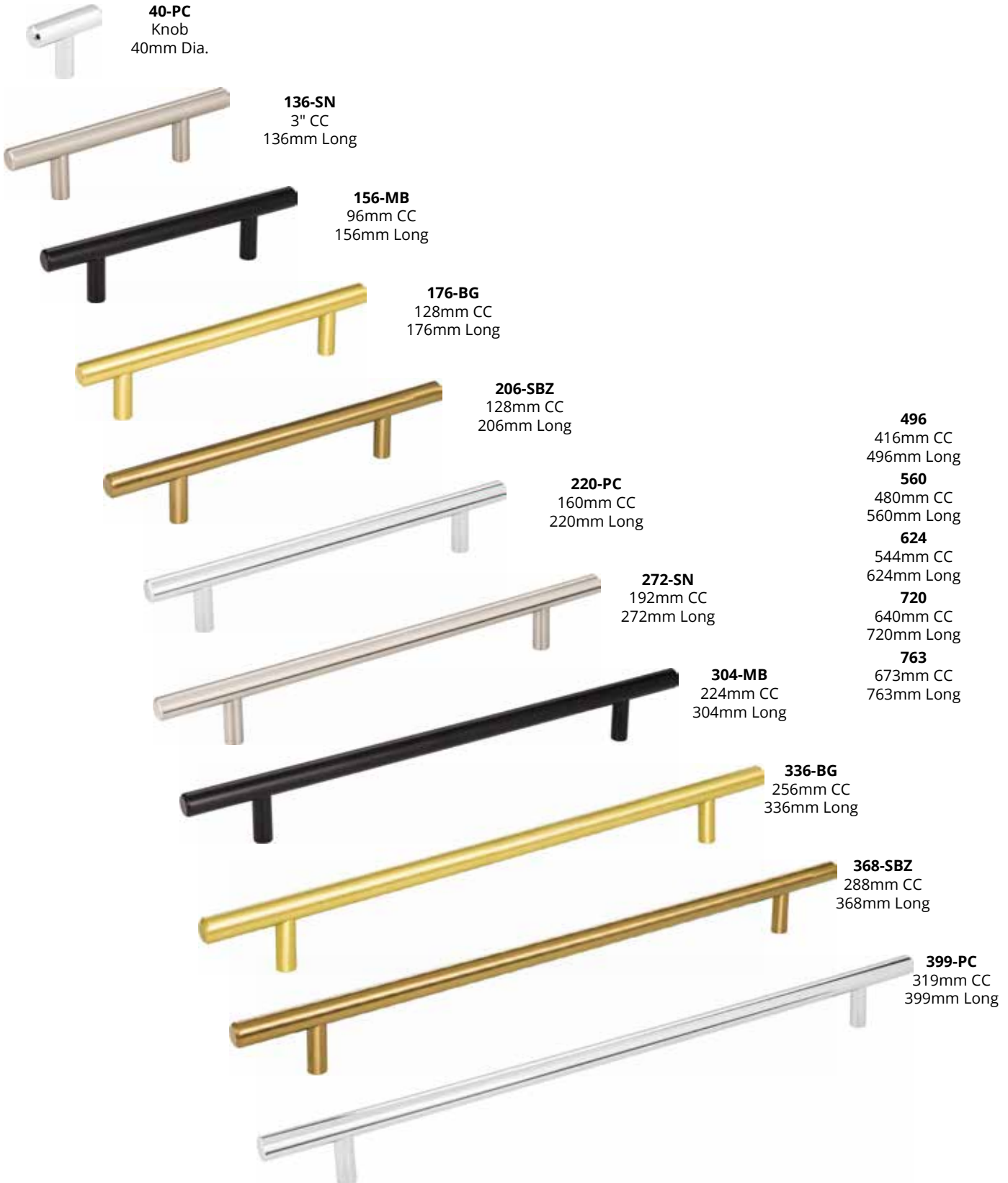
897-BNBDL
Knob
1 1/8" Dia.



897L-BNBDL
Knob
1 1/4" Dia.

Naples

AVAILABLE FINISHES



40-PC
Knob
40mm Dia.

136-SN
3" CC
136mm Long

156-MB
96mm CC
156mm Long

176-BG
128mm CC
176mm Long

206-SBZ
128mm CC
206mm Long

220-PC
160mm CC
220mm Long

272-SN
192mm CC
272mm Long

304-MB
224mm CC
304mm Long

336-BG
256mm CC
336mm Long

368-SBZ
288mm CC
368mm Long

399-PC
319mm CC
399mm Long

496
416mm CC
496mm Long

560
480mm CC
560mm Long

624
544mm CC
624mm Long

720
640mm CC
720mm Long

763
673mm CC
763mm Long

Naples

AVAILABLE FINISHES



39-SS
Knob
39mm Dia.



154-SS
96mm CC
154mm Long



174-SS
128mm CC
174mm Long



204-SS
128mm CC
204mm Long



270-SS
192mm CC
270mm Long



302-SS
224mm CC
302mm Long



334-SS
256mm CC
334mm Long



366-SS
288mm CC
366mm Long



397-SS
319mm CC
397mm Long

494-SS
416mm CC
494mm Long

558-SS
480mm CC
558mm Long

622-SS
544mm CC
622mm Long

719-SS
640mm CC
719mm Long

206-MB
Naples



Park

AVAILABLE FINISHES



DBAC BNBDL SN PC



183-PC
Knob
1 1/8" Proj.

183-3-PC
3" CC
3 3/4" Long

183-96-PC
96MM CC
4 1/2" Long

Seaver

AVAILABLE FINISHES



DBAC BNBDL SN PC



511-DBAC
Knob
1 1/4" Dia.

511-3-DBAC
3" CC
4 1/16" Long

511-96-DBAC
96MM CC
4 7/8" Long

Sedona

AVAILABLE FINISHES



SN SBZ MB



26-SN
Knob
1" Dia.

400-SN
3" CC
4" Long

475-SN
3 3/4" CC
4 3/4" Long

600-SN
5" CC
6" Long

Slade

AVAILABLE FINISHES



PC BNBDL SN DBAC DACM



3915-DACM
Knob
1" Dia.



984-3-DACM
3" CC
3 1/2" Long



984-96-DACM
3 3/4" CC
4 1/4" Long



984-128-DACM
5" CC
5 1/2" Long



984-160-DACM
6 1/4" CC
6 3/4" Long



984-192-DACM
7 9/16" CC
8" Long

NOTE: 984-3, 984-96, 984-128, 984-160 and 984-192 are not available in AB or PB Finishes.

Somerset

AVAILABLE FINISHES



BNBDL DBAC PC SN



8004-DBAC
3 3/4" CC
4 7/8" Long



81065-DBAC
5" CC
6" Long



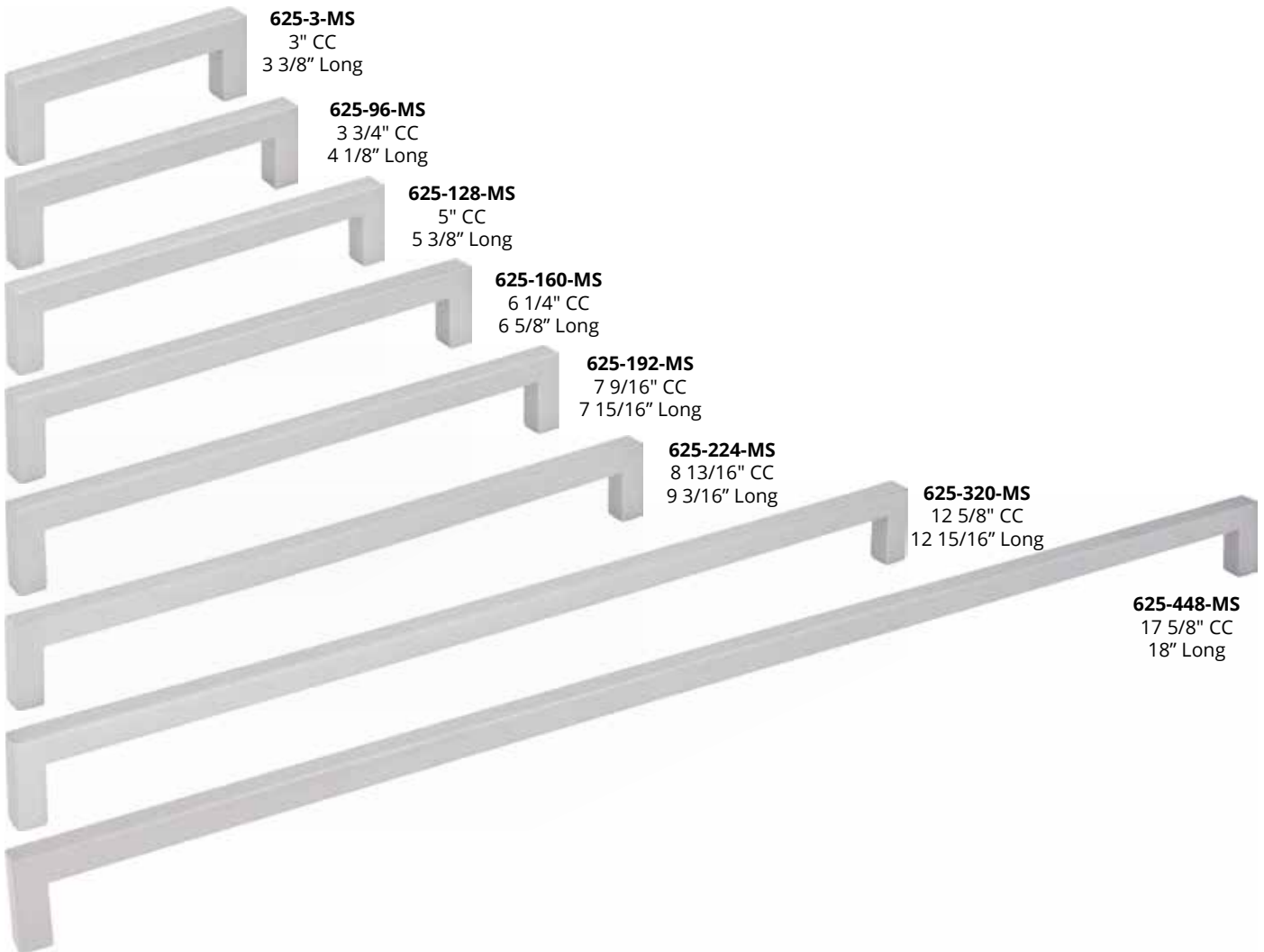
80814-DBAC
3 3/4" CC
5" Long



80815-DBAC
5" CC
6 1/4" Long

Stanton

AVAILABLE FINISHES



Strickland

AVAILABLE FINISHES



Syracuse

AVAILABLE FINISHES



BNBDL DBAC PC SN



575-96-BNBDL
3 3/4" CC
4 7/8" Long



575-BNBDL
Knob
1 3/16" Dia.

Thatcher

AVAILABLE FINISHES



MB DBAC BNBDL SBZ BG SN PC



859-3-SBZ
3" CC
5 1/4" Long



859-96-SBZ
3 3/4" CC
6" Long



859-128-SBZ
5" CC
7 1/4" Long



859-160-SBZ
6 1/4" CC
8 1/2" Long



859T-SBZ
Knob
1 1/2" Dia.

859-128-SBZ
Thatcher



Torino

AVAILABLE FINISHES



K271-3SS
3" CC
3 3/8" Long



S271-3-PB
3" CC
3 3/8" Long



K271-3.5-SS
3 1/2" CC
3 13/16" Long



S271-3.5-PB
3 1/2" CC
3 13/16" Long



K271-96-SS
3 3/4" CC
4 1/8" Long



S271-96-PB
3 3/4" CC
4 1/8" Long



S271-128-PB
5" CC
5 3/8" Long



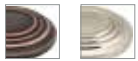
K271-4SS
4" CC
4 5/16" Long



S271-4-PB
4" CC
4 5/16" Long

Vienna

AVAILABLE FINISHES



DBAC SN



110-3-DBAC
3" CC
5 1/2" Long



110-DBAC
Knob
1 1/4" Dia.



202-DBAC
Knob
1 1/4" Dia.

Walker 1

AVAILABLE FINISHES



MB BNBDL SBZ BG SN PC



827-96-BG
96MM CC
4 1/8" Long



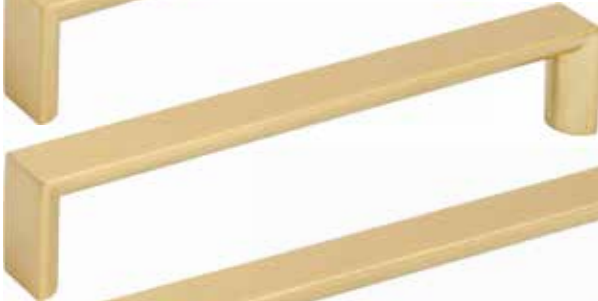
827-BG
Square Knob
1 1/4" Long



827-128-BG
128MM CC
5 3/8" Long



827L-BG
Square Knob
1 5/8" Long



827-160-BG
160MM CC
6 11/16" Long



827-192-BG
192MM CC
7 15/16" Long



827-12-BG
12" CC
12 1/2" Long

Walker 2

AVAILABLE FINISHES



MB BNBDL SBZ BG SN PC



727-96-PC
96MM CC
4" Long



727-128-PC
128MM CC
5 5/16" Long



727-160-PC
160MM CC
6 9/16" Long



727-192-PC
192MM CC
7 13/16" Long

Watervale

AVAILABLE FINISHES



SN BNBDL PC DBAC



647-DBAC
Knob
1 1/8" Dia.



647-3-DBAC
3" CC
4 5/8" Long



647-96-DBAC
3 3/4" CC
5 3/8" Long

Westbury

AVAILABLE FINISHES



BNBDL DBAC PC SN



3898-PC
Knob
1 1/4" Dia.



3899-PC
3" CC
5 1/8" Long

William

AVAILABLE FINISHES



BNBDL DBAC MB SBZ BG PC SN



641-3-SBZ
3" CC
4 1/4" Long



641-96-SBZ
3 3/4" CC
5" Long



641-128-SBZ
5 1/16" CC
6 1/4" Long



641-160-SBZ
6 5/16" CC
7 1/2" Long



641-SBZ
Square Knob
1 1/4" Dia.

Zachary

AVAILABLE FINISHES



BNBDL DBAC PC SN MB



988-3-SN
3" CC
3 3/4" Long

988-96-SN
3 3/4" CC
4 1/2" Long

988-128-SN
5" CC
5 3/4" Long

988-160-SN
6 1/4" CC
7 1/16" Long



988-SN
Knob
1 1/6" Dia.

641-SN
William

